



Spare Parts Catalog

9 S 1310 TO
KAMAZ PUBLIC JOINT STOCK COMPANY

Material number: 1324.001.048



Pos.	Information	Amendment number
001	Use case -----	
002	Customer KAMAZ PUBLIC JOINT STOCK COMPANY	
003	City Naberezhnye Chelny	
004	DUNS 64-493-2113	
005	Vehicle / Apparatus -----	
006	Sales Name	
007	Manufacturer KAMAZ PUBLIC JOINT STOCK COMPANY	
008	Engineering Name	
009	Product Use TRUCK	
010	Vehicle/Hardware Type ROAD TRACTOR	
011	SOP	
012	Engine	
013	Sales Designation	
014	Manufacturer Cummins Engine Co.	
015	Eng.Displ.	
016	Cylinder	
017	Nom. power 210 kW	
018	RPM at nom. power 2500 1/min	
019	Nom. torque 1020 Nm	
020	RPM at nom. torque 1500 1/min	
021	Classification use case -----	
022	DESIGNATION, CLUTCH MFZ430	
023	MANUFACTURER, CLUTCH ZF-SACHS	
024	TOTAL NUMBER OF WHEELS 6	
025	NUMBER OF DRIVING WHEELS 4	
026	DYNAMIC TYRE RADIUS 508 mm	
027	REAR AXLE RATIO 6.53	
031	PERMISS.GROSS VEHICLE WEIGHT 25 t	
032	PERMISS.GROSS COMBIN.WEIGHT 38 t	
033	APPROVAL NOTE 1 FIRST FITTING CHECK CARR.OUT	
034	Product description -----	
035	INSTALLATION POS TRANSMISSION HORIZONTAL LEFT	



Pos.	Information	Amendment number
036	TRANSMISSION ATTACHMENT FLANGE-MOUNTED	
037	RATIO, BOTTOM GEAR 9.48	
038	RATIO, TOP GEAR .75	
039	SET OF RATIOS TO	
040	RATIO, 1ST GEAR 9.48	
041	RATIO, 2ND GEAR 6.58	
042	RATIO, 3RD GEAR 4.68	
043	RATIO, 4TH GEAR 3.48	
044	RATIO, 5TH GEAR 2.62	
045	RATIO, 6TH GEAR 1.89	
046	RATIO, 7TH GEAR 1.35	
047	RATIO, 8TH GEAR 1	
048	RATIO, 9TH GEAR .75	
049	RATIO, 1ST GEAR REVERSE 8.97	
050	UEBERSETZUNG PLANETENSATZ 3.48	
051	NUMBER OF PLANETARY GEARS 4	
052	DESIGN, SHIFT SYSTEM TURNING SHAFT	
053	POSITION, GEAR SHIFT SYSTEM HORIZONTAL LEFT	
054	DESIGN, SHIFT PATTERN H-H	
056	VERSION TUBE R/C PLASTIC-FORM-PIPE	
059	DESIGN, SEPARATING CLUTCH FULL-SYNCHRONIZED	
062	REFERENCE LENGTH INPUT SHAFT 286 mm	
063	STANDARD TYPE INPUT SHAFT SAE	
064	NUMBER OF WEDGES INPUT SHAFT 10	
065	VERSION OF INPUT SHAFT FORM C	
066	NOMINAL DIAMETER INPUT SHAFT 1.75 in	
067	DIAMETER, JOURNAL, INPUT SHAFT 25 mm	
068	TYPE FIT SPIGOTS INPUT SHAFT F7	
069	DIAMETER SHAFT OF INPUT SHAFT 44 mm	
070	BUSH VARIANT INPUT SHAFT WITHOUT GROOVE	
071	DESIGN,CONN., CLUTCH HOUSING SAE 1	
075	DIAMETER, RELEASE FLANGE 60 mm	



Pos.	Information	Amendment number
076	TYPE FIT RELEASE BEARING FLA. E8	
077	DICHTKAPPE AUSRUECKLAGERFL y	
078	DESIGN BEARING OUTPUT STANDARD SUSPENSION	
079	OUTER DIA. OUTPUT FLANGE RA 180 mm	
080	NO.OF SCREWS OUTPUT FLANGE RA 4	
083	DIA. THREAD OUTPUT FL. SCR. RA M14	
084	REF. LENGTH OUTPUT FLANGE RA 103 mm	
085	THREAD PITCH OUTPUT FL SCR. RA 1.5 mm	
086	THREAD LENGTH OUTP.FL SCREW RA 50 mm	
087	DIMENSION SHIFT TURRET DIST. 229 mm	
088	MEAS. LOC. SHIFT TURRET DIST. SHIFT LEVER-LOCATION	
108	SPRING ARRANGEMENT Q2	
109	NORMENART HOHLFLANSCH HEXAGON SCREW	
110	TOOLING SET OF SPRINGS W308	
111	SPRING FORCE DETENT PLUNGER RG 153.000 N	
113	SPRING FORCE,GEAR DETENT NG+GG 200 N	
114	SELECTION PATTERN VARIANT GEAR SHIFT PATTERN 1	
117	SWITCH, REVERSE GEAR y	
118	DESIGN, RG (REV.GEAR) SWITCH CLOSING	
119	NOTE ON SWITCH, REVERSE GEAR GEAR SHIFT RAIL	
120	PROT. CAP SWITCH, REVERSE GEAR y	
121	DESIGN, CONNECTION, RG SWITCH BAYONET+PLUG	
123	SWITCH, NEUTRAL GEAR y	
124	DESIGN,NG(NEUTRAL GEAR)SWITCH OPENING SWITCH	
125	PROT.CAP SWITCH, NEUTRAL GEAR y	
126	DESIGN, CONNECTION, NG SWITCH BAYONET+PLUG	
128	FUNCTION OF R/C SWITCH GP	
129	DESIGN, GP SWITCH OPENING SWITCH	
130	PROTECTING CAP GP SWITCH y	
131	DESIGN, CONNECTION, GP SWITCH BAYONET+PLUG	
132	REF.LENGTH,RELEASE BEAR.FLAN 170 mm	
134	ATTACHED AGRREGATES 1 WITHOUT WSK	



Pos.	Information	Amendment number
135	ATTACHM.POS.HEAT EXCHANGER WITHOUT GROOVE	
136	VER. TRANSMISSION VENTILATION BREATHER	
139	ATTACHMENT VARIANT, RETARDER WITHOUT GROOVE	
140	LENGTH CLUTCH HOUSING 174 mm	
142	TYPE OF RELEASE MECHANISM PULLED	
143	VERSION OF CLUTCH CYLINDER SERVO	
144	DIAMETER, CLUTCH CYLINDER 100 mm	
145	ASSEMBLY POS. CLUTCH CYLINDER 6	
146	LENGTH TAPPET CLUTCH CYLINDER 127 mm	
147	DESIGN LUBRI.CONN. REL.BEARING WITHOUT GROOVE	
148	THREAD DIA. MTG BOLT SUSPENSION M16	
151	THREAD PITCH SUSPENSION 2 mm	
152	DESIGN WEAR INDICATOR CLUTCH WITHOUT GROOVE	
153	DESIGN SWITCH CLUTCH PREPARED	
158	OUTER DIAMETER RELEASE BEARING 60 mm	
160	WRENCH SIZE, RELEASE FORK 128 mm	
161	LENGTH, RELEASE BEARING 82 mm	
163	DESIGN PULSE SENSOR INPUT WITHOUT GROOVE	
165	PROT.CAP PULSE SENSOR INPUT n	
167	NO. PULSES PULSE SENSOR SFAH68 8 IMP/U	
169	VERSION PULSE SENSOR SFA H68 WITH	
171	PROT. CAP PULSE SENSOR SFA H68 y	
185	NOTE ON OIL FILL FILL IN OVERFLOW	
186	POSITION, OIL FILLER HOUSING, LH SIDE	
187	OIL CAPACITY, GEARBOX 8.8 dm3	
189	OIL GRADE PERMISSIBLE ACC. TO TE-ML02	
191	COLOR JET BLACK	
192	COLOUR CLASSIFICATION ACC. TO RAL 9005	
193	PAINTING, ZF STANDARD 915 W	
194	CODING OUTER CONSERVATION KA1	
195	SCOPE OUTER CONSERVATION T	
196	CODING INNER CONSERVATION KI1	



Pos.	Information	Amendment number
197	CONSERVATION SPECIFICATION ZFN 916	
198	CODIERUNG STOPFENANZAHL	
199	Documents -----	
200	Checkliste_CKD Text-document 1324.199.004	
201	TURN.SHAFT CONT Drawing 1324.149.004	
202	TURN.SHAFT CONT Assembly 1324.149.004	
203	9-SPEED GEARBOX Drawing 1324.001.042	
204	9-SPEED GEARBOX Assembly 1324.001.042	
205	GEARSHIFT SYST. Drawing 1324.172.009	
206	GEARSHIFT SYST. Assembly 1324.172.009	
207	9-SPEED GEARBOX Drawing 1324.601.016	
208	KUPPLUNGSGLOCKE Drawing 6060.000.001	
209	CLUTCH HOUSING Drawing 6060.600.029	
210	9-SPEED GEARBOX Assembly 1324.601.016	



Graphics	Pos.	Material number	Name	VKF	Amend. no.	Amend. start	Prod. no.	Material feature / tech. info.	ID
062.01.15-1	110	1324.101.038	GEARBOX HOUSING	1		00.00.0000		NEW ECOMID*SG*WA *SEP.K-GEHAEUSE*O.SERVO	3
062.01.15-1	120	1324.101.801	GEARBOX HOUSING	1		00.00.0000		NEW ECOMID *ENTLUEFTER	3
062.01.15-1	122	1304.101.800	CLOSING COMPONENTS	1		00.00.0000		NA-OEFFNUNG	3
062.02.10-1	140	1304.102.455	CONNPLATE	1		00.00.0000		L=170*D=60E8	3
062.02.10-1	150	1324.102.802	INPUT SHAFT	1		00.00.0000		O.WSK*DICHTKAPPE	3
062.02.10-1	910	1324.102.011	INPUT SHAFT	1		00.00.0000		9,48-0,75 *L=286*SAE10C 1 3/4	3
062.03.07-1	180	1324.103.800	LAYSHAFT	1		00.00.0000		O.WSK*PUMPE	3
062.03.07-1	920	1324.103.006	LAYSHAFT	1		00.00.0000		9,48-0,75 9 S 1310 TO	3
062.04.08-1	930	1324.104.007	MAIN SHAFT	1		00.00.0000		9,48-0,75 *9S 1310 TO *E21 *OPTIMIERTE SYNCHONISIERUNG	3
062.06.27-1	230	1324.106.004	GEAR SHIFT SYSTEM	1		00.00.0000		SG*WA*WI/WII *3/4G M.UMLENKG*1/2G O.UMLENKG	3
062.06.27-1	238	1324.106.406	CONNECTING PARTS	1		00.00.0000		WA*RG-SCHL*NG-OEFF*BAJO *NEW ECOMID*H-H	3
062.07.15-1	282	1324.107.800	GEAR SHIFT HOUSING	1	Z0000389411	06.04.2009		O.ABSTUETZPUNKT	3
062.07.15-1	910	1324.107.006	GEAR SHIFT HOUSING	1		00.00.0000		NEW ECOMID*H-H*153N *WL/WR	3
062.07.15-1	914	1324.107.408	GEAR SHIFT SHAFT	1		00.00.0000		NEW ECOMID*WI*228*HH-WL	3
062.08.22-1	930	1324.170.011	COVER	1		00.00.0000		NEW ECOMID*WL/SE*WI	3
062.08.22-1	934	1324.170.802	COVER	1		00.00.0000		WL	3
062.12.29-1	922	1324.149.026	SET OF SPRINGS	1		00.00.0000		WL*H-H*Q2*W308	3
062.43.09-1	20	1304.131.069	GP HOUSING	1	Z0000150241	13.11.2008		9S109 *O.AUSGL.SCHEIBE *GP-KOLBEN*D=100MM	3
062.43.09-1	30	1304.131.400	CLOSING COMPONENTS	1		00.00.0000		NA-OEFFNUNG	3
062.43.09-1	512	1324.131.800	HOUSING GP	1		00.00.0000		NEW ECOMID*6KT.SCHRAUBE *GP-KOLBEN*D=100MM	3
062.44.13-1	40	1324.132.003	PLANETARY DRIVE	1	C01004126E1	00.00.0000		NEW ECOMID*SOLO*4-RAED *SYNCHR. D=165 *9S 1110 TD/9S 1310 TO	3
062.44.13-1	50	1324.132.403	PLANETARY DRIVE	1	C01004126E1	00.00.0000		AD=180*4XM14X1,5X50 *E/Z8	3

VKF Incidence factor

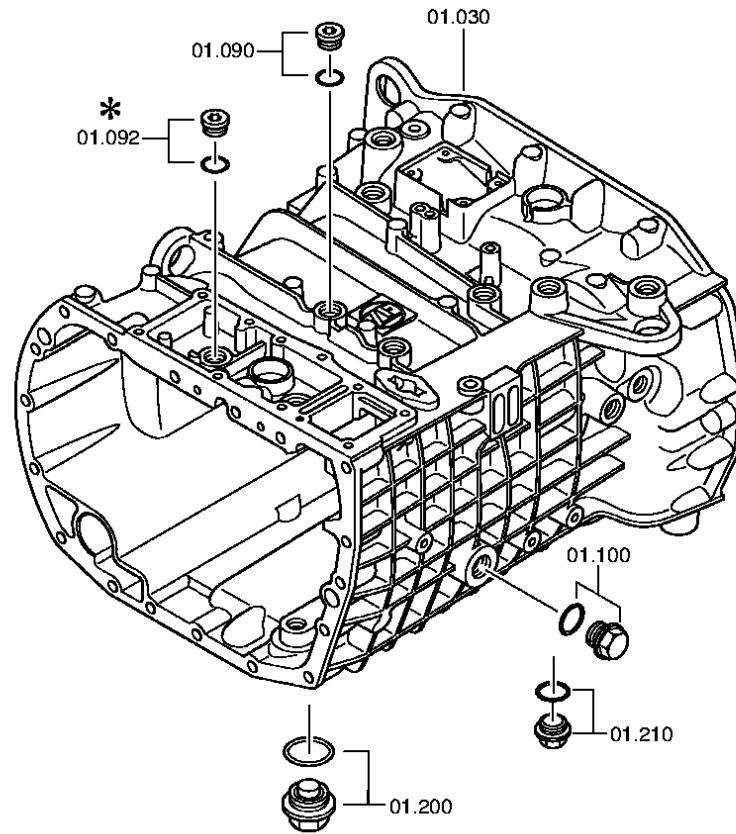
ID Identification (output code)

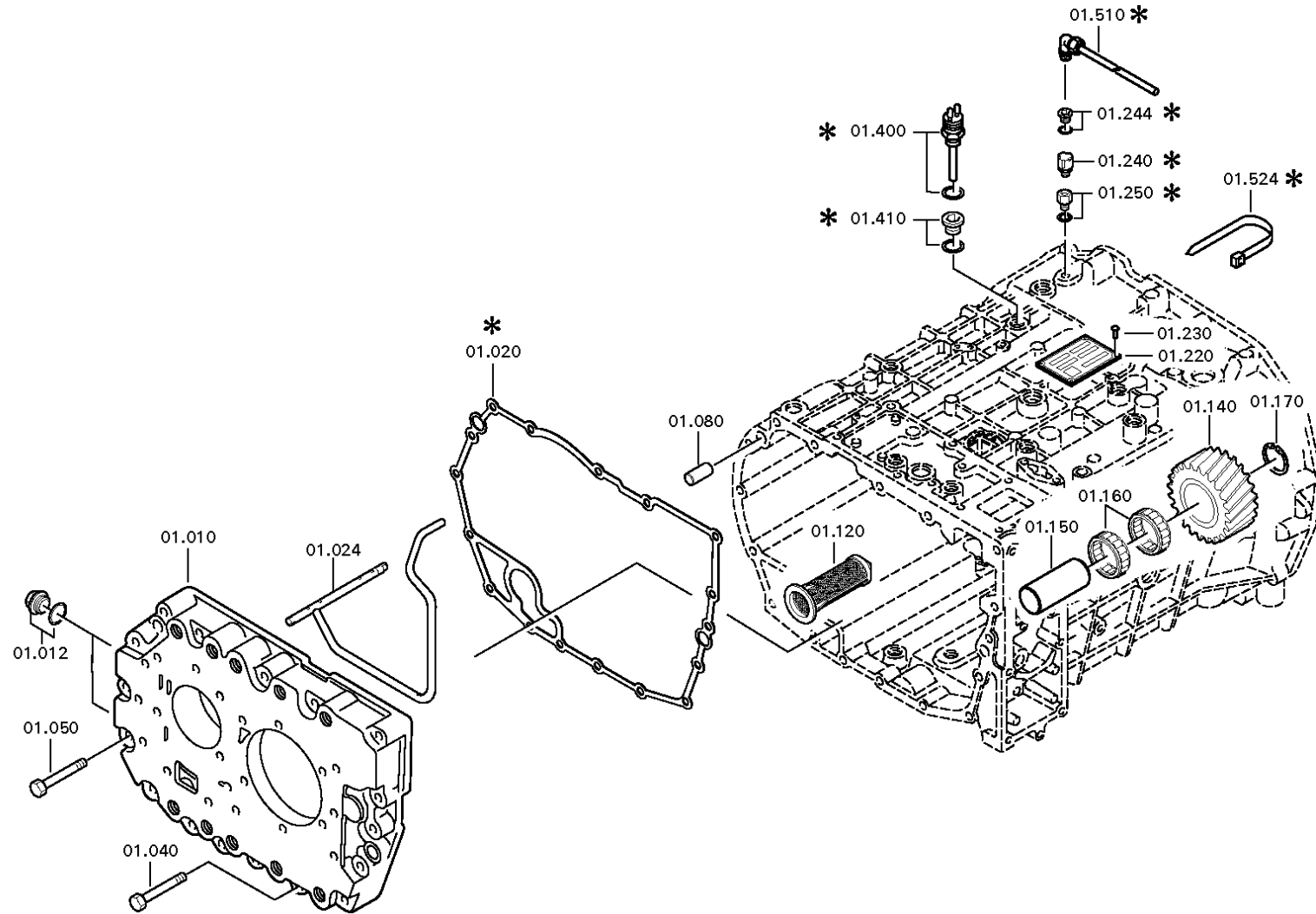


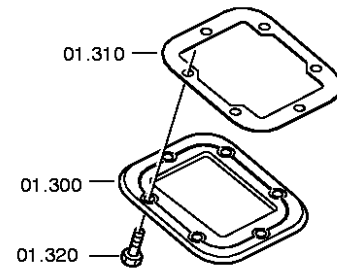
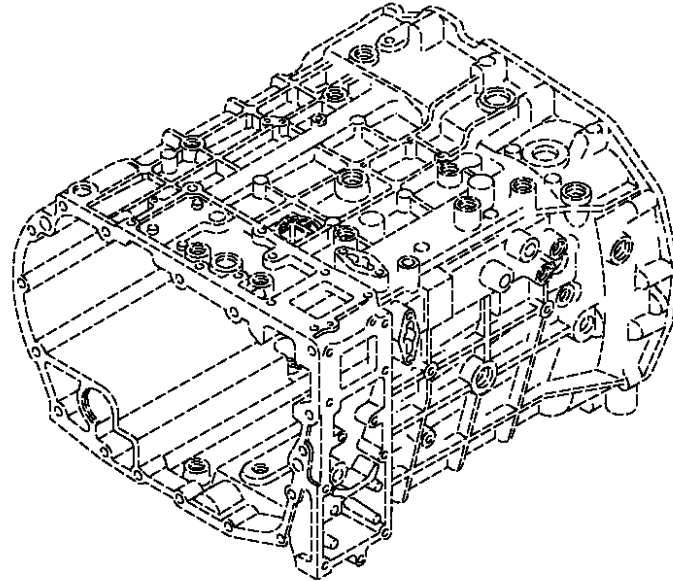
Graphics	Pos.	Material number	Name	VKF	Amend. no.	Amend. start	Prod. no.	Material feature / tech. info.	ID
062.44.13-1	60	1324.132.800	PLANETARY DRIVE	1		00.00.0000		NEW ECOMID*3,48*4-RAEDRIG	3
062.45.05-1	70	1324.133.001	SYNCHRONIZER	1	C01004126E1 10	00.00.0000		NEW ECOMID*SOLO *MOLYBDAEN	3
062.45.05-1	80	1304.133.404	SYNCHRONIZER	1		00.00.0000		MOLYB.	3
062.46.09-1	90	1324.134.004	GP SHIFT SYSTEM	1		00.00.0000		KOLBEN-D=100MM*BATCH2 *ANSCHLAG GEDAEMPFT*145N	3
062.46.09-1	554	1304.134.407	CONNECTING PARTS	1		00.00.0000		GP-OEFF*BAJONETT	3
062.47.02-1	190	1304.135.005	SPEEDOMETER COVER	1		00.00.0000		E-TACHO*GEBER*BAJONETT	3
062.47.02-1	194	1304.135.803	SPEEDOMETER COVER	1		00.00.0000		E-TACHO	3
062.57.02-1	390	1304.145.004	RANGE SELECTION	1		00.00.0000		ECOMID*WA*W I	3
061.92.27-1	480	6060.101.840	ANCHORAGE	1		00.00.0000		9XM18X1,5X85*1XM18X1,5X160*AL- GEHAEUSE	3
061.92.27-1	900	6060.101.692	CLUTCH HOUSING	1		00.00.0000		SAE 1*L=174,0 *VERSCHL.DECKEL *M.KUPPL.VERST-6	3
061.92.27-1	920	6060.101.877	ANCHORAGE	1		00.00.0000		LAGERBOCK *ZF KAMA	3
061.93.30-1	910	6060.168.001	CLUTCH RELEASE DEVICE	1		00.00.0000		GABEL SW128	3

VKF Incidence factor

ID Identification (output code)









Pos.	Material number	Name	VKF	Amend. no.	Amend. start	Prod. no.	Material feature / tech. info.	OTK	External material no.	ID	Weight	SP
10	1324.301.119	HOUSING I	1	C0100574 8F10	00.00.0000	00.00.0000	9S1110/1310, 8S2100			5	0,000	
12	---	SCREW PLUG	2		00.00.0000		45N.M*DICHTRING M16X1,5			3	0,000	
---	0636.100.794	SCREW PLUG	2	Z0001011 1711	01.01.2012	01.01.2012	M16X1,5			5	0,000	
---	0634.801.044	SEALING RING	2		00.00.0000		16X20			5	0,010	
20	0501.321.065	GASKET	1		00.00.0000					5	0,000	
24	1324.201.019	PIPE	1		00.00.0000		KPL.SPRITZROHR UNTENLIEG.			3	0,000	
30	1324.201.041	HOUSING	1		00.00.0000		KPL.			3	0,000	
40	0736.300.123	HEXAGON BOLT	3		00.00.0000		M10X70 M10X70			5	0,000	
50	0736.300.123	HEXAGON BOLT	14		00.00.0000		M10X70 M10X70			5	0,000	
80	0631.306.229	CYLINDRICAL PIN	2		00.00.0000		16X36			5	0,000	
90	---	SCREW PLUG	1	Z0001011 1513	01.01.2012	01.01.2012	35N.M*DICHTRING M18X1,5			3	0,000	
---	0636.100.791	SCREW PLUG	1	Z0001011 1521	15.11.2010	15.11.2010	M18X1,5			5	0,000	
---	0634.801.062	SEALING RING	1	Z0001011 1521	15.11.2010	15.11.2010	18X24			5	0,001	
100	---	SCREW PLUG	1	Z0001011 2111	01.01.2012	01.01.2012	60N.M*DICHTRING M24X1,5			3	0,000	
---	0636.304.088	SCREW PLUG	1	Z0001011 2110	24.11.2010	24.11.2010	M24X1,5			5	0,000	
---	0730.008.637	SEALING RING	1	Z0001011 2110	24.11.2010	24.11.2010	A24X29			5	0,000	
120	0501.318.802	SCREEN INSERT	1		00.00.0000					5	0,000	
140	1324.305.001	REVERSE IDLER GEAR	1	Z0000378 9910	26.10.2009	26.10.2009	9S1110/9S1310			5	0,000	
150	1304.305.030	PIN	1		00.00.0000					5	0,000	
160	0750.115.974	ROLLER CAGE	2	C0100448 3F10	00.00.0000	00.00.0000	40,0X60,0X26,0			3	0,000	
170	0630.502.022	RETAINING RING	1		00.00.0000		40X1,75			5	4,800	

VKF Incidence factor

OTK Optional technical kit

ID Identification (output code)

SP Supplier plant



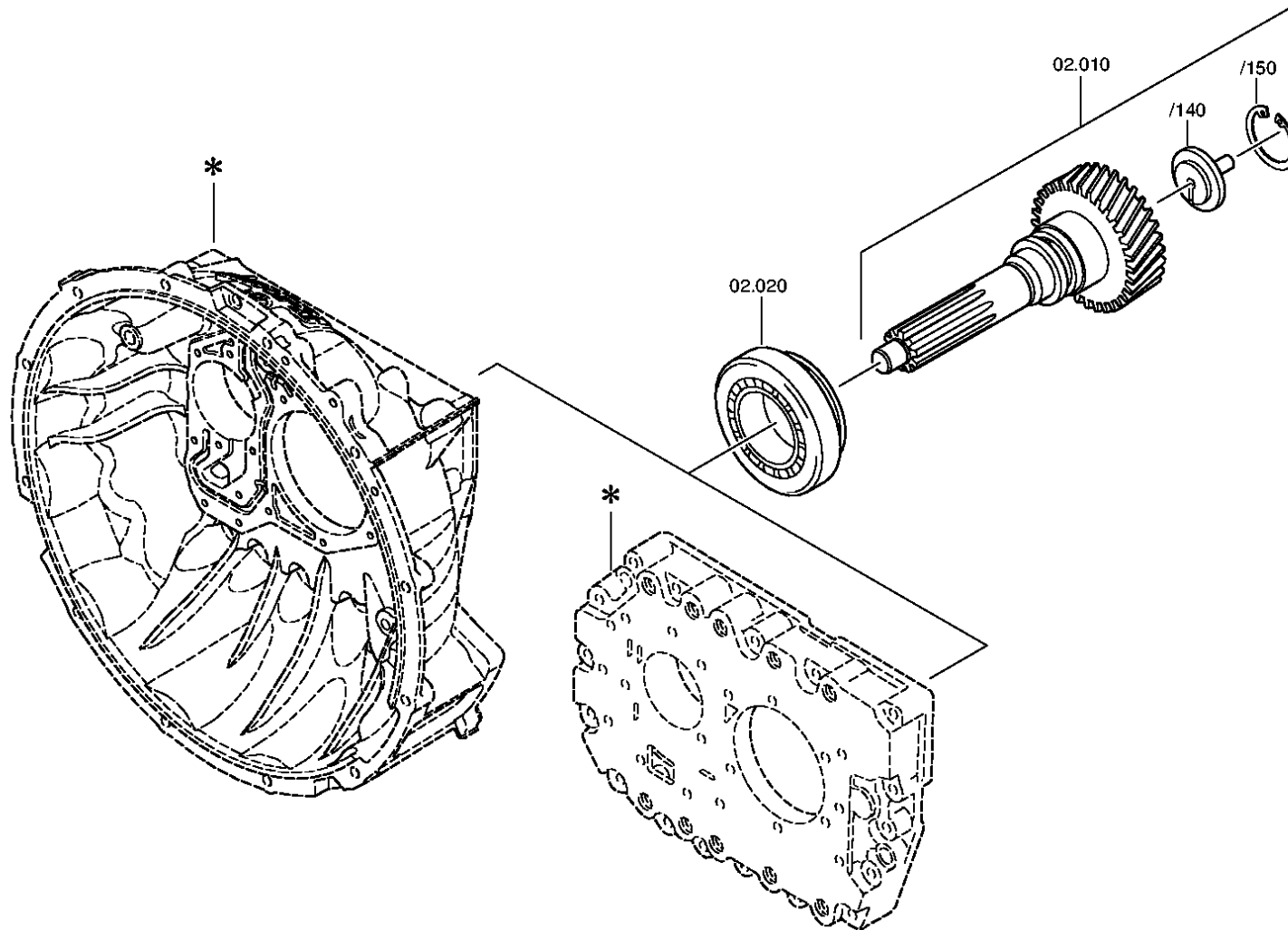
Pos.	Material number	Name	VKF	Amend. no.	Amend. start	Prod. no.	Material feature / tech. info.	OTK	External material no.	ID	Weight	SP
200	---	SCREW PLUG	1	Z0001011 2212	15.02.2011	15.02.2011	M38X1,5			3	0,000	
---	0736.300.272	SCREW PLUG	1	Z0001011 2215	02.11.2010	02.11.2010	M38X1,5			5	0,000	
---	0634.801.321	SEALING RING	1	Z0001011 2215	02.11.2010	02.11.2010	38X44			5	0,001	
210	---	SCREW PLUG	1	Z0001011 2111	01.01.2012	01.01.2012	60N.M*DICHTRING M24X1,5			3	0,000	
---	0636.304.088	SCREW PLUG	1	Z0001011 2110	24.11.2010	24.11.2010	M24X1,5			5	0,000	
---	0730.008.637	SEALING RING	1	Z0001011 2110	24.11.2010	24.11.2010	A24X29			5	0,000	
220	---	TYPE PLATE	1		00.00.0000		BOUTHEON			3	0,000	
---	0730.365.241	TYPE PLATE	1	C0100105 6E10	00.00.0000	00.00.0000	EINHEITSSCH. VERDREHSICHER			5	0,000	
---	0730.365.246	TYPE PLATE	1	C0100469 9E10	00.00.0000	00.00.0000	EINHEITSSCH. VERDREHSICHER			5	0,000	
230	0731.300.027	BLIND RIVET	4	Z0000790 4810	01.01.2012	01.01.2012				5	0,000	
240	---	BREATHER	1		00.00.0000		M10X1KEG			3	0,000	
---	0501.202.797	BREATHER	1		00.00.0000		KPL.			3	30	
300	1324.301.165	COVER	1	Z0000963 3112	21.02.2011	21.02.2011				5	0,000	
310	1290.301.140	GASKET	1		00.00.0000		ENTHALT.IN 1290 301 071(1)			5	0,000	
320	0636.016.403	HEXAGON BOLT	6	Z0000705 8114	01.01.2012	01.01.2012	M10X22			5	0,000	

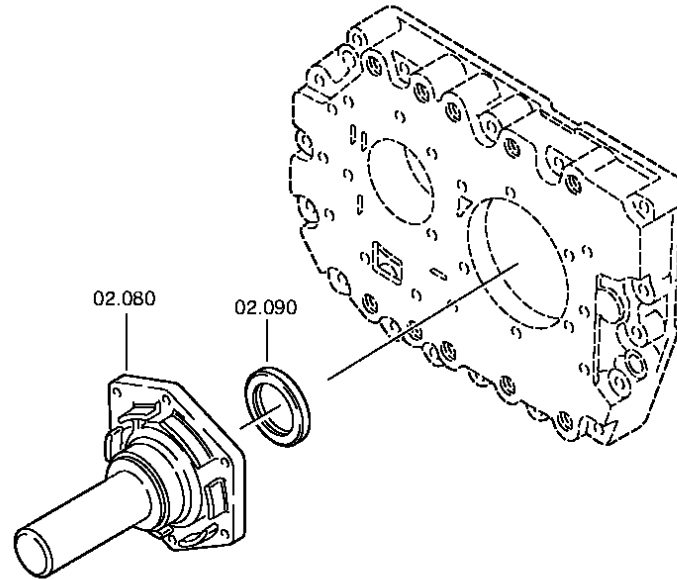
VKF Incidence factor

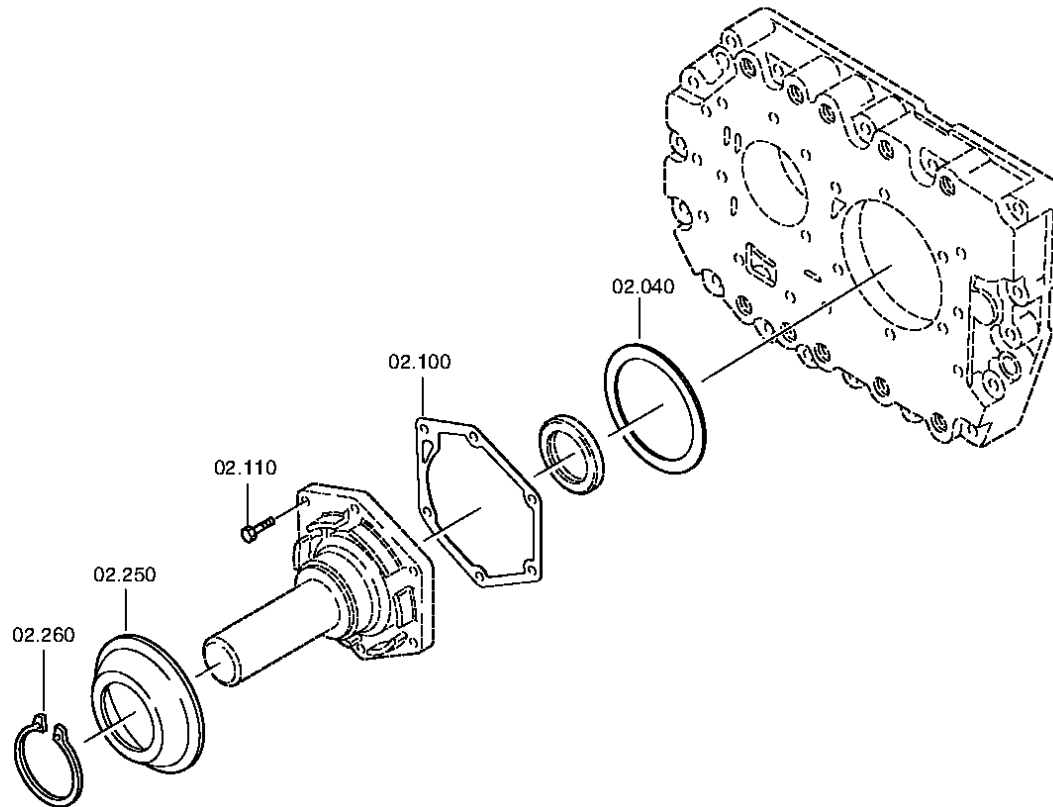
OTK Optional technical kit

ID Identification (output code)

SP Supplier plant









Pos.	Material number	Name	VKF	Amend. no.	Amend. start	Prod. no.	Material feature / tech. info.	OTK	External material no.	ID	Weight	SP
10	1324.202.014	INPUT SHAFT	1		00.00.0000		KPL.			3	0,000	
/140	1304.302.440	COVER	1		00.00.0000					5	0,000	
/150	0630.502.063	RETAINING RING	1		00.00.0000		58X2			5	10,400	
20	0750.117.518	TAROLLBEARING	1		00.00.0000		71,4X120,0X32,5			3	0,000	
40	---	SHIM	1		00.00.0000		S= 1,30- 2,30(ABSTUFUNG:0,05MM)			3	0,000	
---	0730.005.857	SHIM	1		00.00.0000		A=2,30 IN 0730 006 163(2)			5	0,000	
---	0730.005.856	SHIM	1		00.00.0000		A=2,25 IN 0730 006 163(2)			5	0,000	
---	0730.006.184	SHIM	1		00.00.0000		A=2,20 IN 0730 006 163(2)			5	0,000	
---	0730.006.183	SHIM	1		00.00.0000		A=2,15 IN 0730 006 163(2)			5	0,000	
---	0730.006.182	SHIM	1		00.00.0000		A=2,10 IN 0730 006 163(2)			5	0,000	
---	0730.006.181	SHIM	1		00.00.0000		A=2,05 IN 0730 006 163(2)			5	0,000	
---	0730.006.180	SHIM	1		00.00.0000		A=2,00 IN 0730 006 163(2)			5	0,000	
---	0730.006.179	SHIM	1		00.00.0000		A=1,95 IN 0730 006 163(2)			5	0,000	
---	0730.006.169	SHIM	1		00.00.0000		A=1,90 IN 0730 006 163(2)			5	0,000	
---	0730.006.168	SHIM	1		00.00.0000		A=1,85 IN 0730 006 163(2)			5	0,000	
---	0730.002.654	SHIM	1		00.00.0000		A=1,80 IN 0730 006 163(2)			5	47	
---	0730.006.167	SHIM	1		00.00.0000		A=1,75 IN 0730 006 163(2)			5	0,000	
---	0730.002.655	SHIM	1		00.00.0000		A=1,70 IN 0730 006 163(2)			5	0,040	
---	0730.006.166	SHIM	1		00.00.0000		A=1,65 IN 0730 006 163(2)			5	0,000	
---	0730.002.656	SHIM	1		00.00.0000		A=1,60 IN 0730 006 163(2)			5	43	
---	0730.006.165	SHIM	1		00.00.0000		A=1,55 IN 0730 006 163(2)			5	40	
---	0730.002.657	SHIM	1		00.00.0000		A=1,50 IN 0730 006 163(2)			5	39	
---	0730.006.164	SHIM	1		00.00.0000		A=1,45 IN 0730 006 163(2)			5	37	
---	0730.002.658	SHIM	1		00.00.0000		A=1,40 IN 0730 006 163(2)			5	0,030	
---	0730.007.640	SHIM	1		00.00.0000		A=1,35 IN 0730 006 163(2)			5	35	
---	0730.002.659	SHIM	1		00.00.0000		A=1,30 IN 0730 006 163(2)			5	29	
80	1304.302.350	CONNPLATE	1		00.00.0000		ENTHALT.IN 1304 302 347(0)			5	0,000	
90	0734.310.104	SHAFT SEAL	1		00.00.0000		52X68X8 FA.CFW			5	0,000	
100	0501.322.828	GASKET	1	C0100574 9F10	00.00.0000	00.00.0000				5	0,000	

VKF Incidence factor

OTK Optional technical kit

ID Identification (output code)

SP Supplier plant



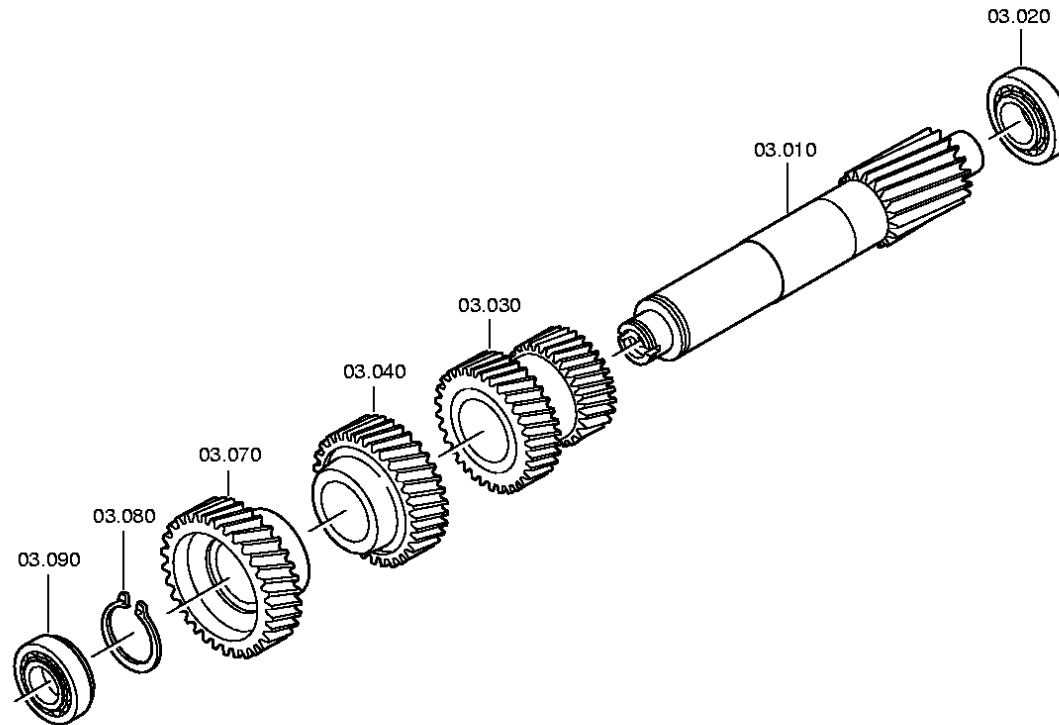
Pos.	Material number	Name	VKF	Amend. no.	Amend. start	Prod. no.	Material feature / tech. info.	OTK	External material no.	ID	Weight	SP
110	0636.100.797	HEXAGON BOLT	6	Z0000789 1312	01.01.2012	01.01.2012	M8X30			5	0,000	
250	1324.302.191	SEALING CAP	1		00.00.0000					5	0,000	
260	0630.501.051	RETAINING RING	1		00.00.0000		82X2,5			5	28	

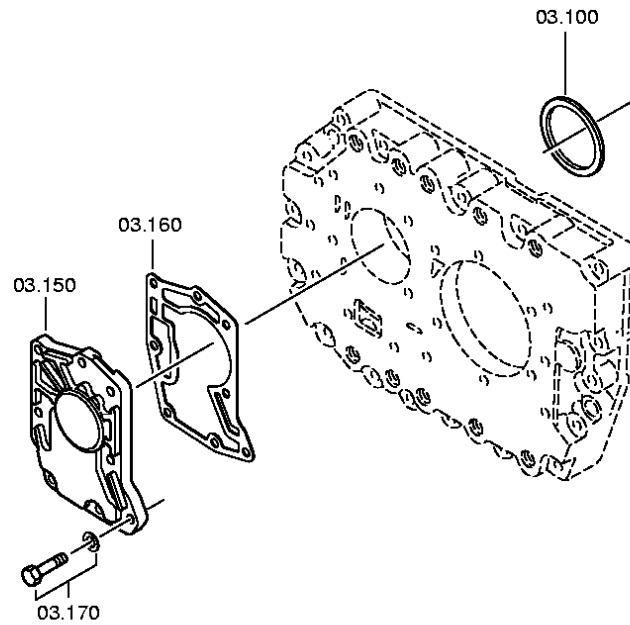
VKF Incidence factor

OTK Optional technical kit

ID Identification (output code)

SP Supplier plant







Pos.	Material number	Name	VKF	Amend. no.	Amend. start	Prod. no.	Material feature / tech. info.	OTK	External material no.	ID	Weight	SP
10	1324.303.001	LAYSHAFT	1		00.00.0000					5	0,000	
20	0750.117.083	TAROLLBEARING	1		00.00.0000		50,8X95,2X27,7			3	0,000	
30	1324.303.015	DOUBLE GEAR	1		00.00.0000		1/2G			5	0,000	
40	1324.303.003	HELICAL GEAR	1		00.00.0000		4G			5	0,000	
70	1324.303.004	HELICAL GEAR	1		00.00.0000		KONST.			5	0,000	
80	---	RETAINING RING	1		00.00.0000		S= 2,00- 2,50(ABSTUFUNG:0, 10MM)			3	0,000	
---	0630.501.073	RETAINING RING	1		00.00.0000		58X2,5			5	0,000	
---	0630.501.074	RETAINING RING	1		00.00.0000		58X2,4			5	0,000	
---	0630.501.076	RETAINING RING	1		00.00.0000		58X2,3			5	0,000	
---	0630.501.104	RETAINING RING	1		00.00.0000		58X2,2			5	0,000	
---	0630.501.140	RETAINING RING	1		00.00.0000		58X2,1			5	0,000	
---	0630.501.040	RETAINING RING	1		00.00.0000		58X2			5	11	
90	0750.117.881	TAROLLBEARING	1	C0100945 7E10	00.00.0000	00.00.0000	40,0X85,0X33,0			3	0,000	
100	---	SHIM	1		00.00.0000		S= 1,50- 2,40(ABSTUFUNG:0, 05MM)			3	0,000	
---	0730.003.436	SHIM	1		00.00.0000		A=2,40			5	0,000	
---	0730.004.737	SHIM	1		00.00.0000		A=2,35			5	0,000	
---	0730.004.736	SHIM	1		00.00.0000		A=2,30			5	0,000	
---	0730.004.735	SHIM	1		00.00.0000		A=2,25			5	0,000	
---	0730.004.734	SHIM	1		00.00.0000		A=2,20			5	0,000	
---	0730.004.733	SHIM	1		00.00.0000		A=2,15			5	0,000	
---	0730.004.732	SHIM	1		00.00.0000		A=2,10			5	0,000	
---	0730.004.731	SHIM	1		00.00.0000		A=2,05			5	0,000	
---	0730.002.934	SHIM	1		00.00.0000		A=2,00			5	0,000	
---	0730.003.435	SHIM	1		00.00.0000		A=1,95			5	0,000	
---	0730.002.935	SHIM	1		00.00.0000		A=1,90			5	0,000	
---	0730.003.434	SHIM	1		00.00.0000		A=1,85			5	0,000	
---	0730.002.936	SHIM	1		00.00.0000		A=1,80			5	0,000	
---	0730.003.433	SHIM	1		00.00.0000		A=1,75			5	0,000	

VKF Incidence factor

OTK Optional technical kit

ID Identification (output code)

SP Supplier plant



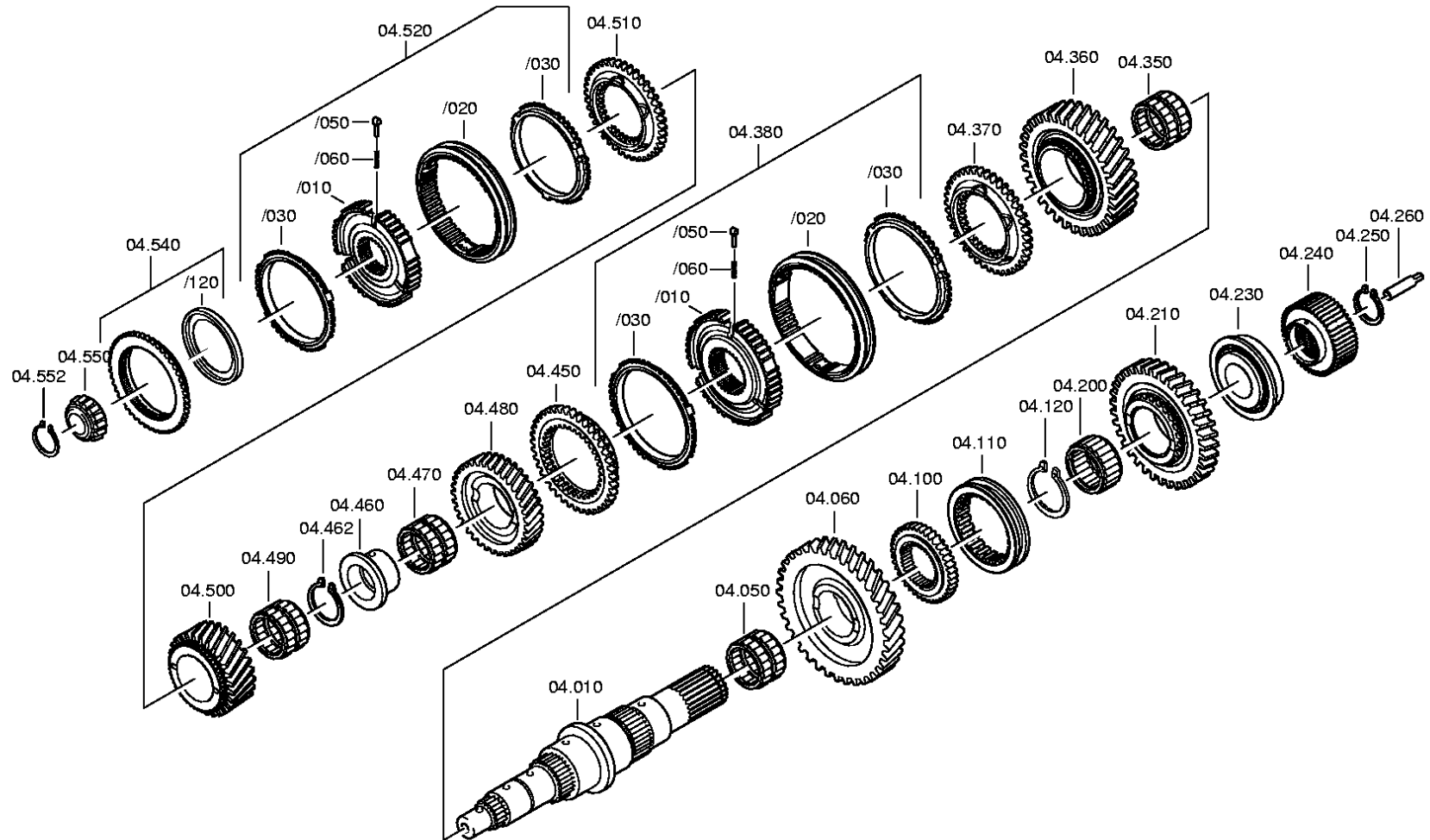
Pos.	Material number	Name	VKF	Amend. no.	Amend. start	Prod. no.	Material feature / tech. info.	OTK	External material no.	ID	Weight	SP
---	0730.002.937	SHIM	1		00.00.0000		A=1,70			5	0,000	
---	0730.003.432	SHIM	1		00.00.0000		A=1,65			5	0,000	
---	0730.002.938	SHIM	1		00.00.0000		A=1,60			5	0,000	
---	0730.003.431	SHIM	1		00.00.0000		A=1,55			5	0,000	
---	0730.002.939	SHIM	1		00.00.0000		A=1,50			5	0,000	
150	---	PUMP	1	C0100864 3E10	00.00.0000	00.00.0000				3	0,000	
---	0501.215.228	PUMP	1		00.00.0000		KPL.			5	0,000	
---	0501.215.245	OIL PUMP	1		00.00.0000		KPL.F.SEP.KUPPL.GLOCKE E21			5	0,000	
160	0501.322.829	GASKET	1	C0100575 0F10	00.00.0000	00.00.0000				5	0,000	
170	---	HEXAGON BOLT	8	Z0000789 1312	01.01.2012	01.01.2012	M8X30			3	0,000	
---	0636.100.797	HEXAGON BOLT	8	Z0000789 1310	07.09.2010	07.09.2010	M8X30			5	0,000	
---	0630.100.251	SPRING WASHER	8	Z0000715 9812	01.01.2012	01.01.2012				5	0,000	

VKF Incidence factor

OTK Optional technical kit

ID Identification (output code)

SP Supplier plant





Pos.	Material number	Name	VKF	Amend. no.	Amend. start	Prod. no.	Material feature / tech. info.	OTK	External material no.	ID	Weight	SP
10	1324.304.005	MAIN SHAFT	1		00.00.0000		E21			5	0,000	
50	0750.115.972	NEEDLE CAGE	1	C0100447 8F10	00.00.0000	00.00.0000	CR 75,0X83,0X35,0			3	0,000	
60	1304.304.543	HELICAL GEAR	1		00.00.0000		ENTHALT.IN 1304 304 425(0)			5	0,000	
100	1324.304.037	SLEEVE CARRIER	1		00.00.0000					5	0,000	
110	1304.304.444	SLIDING SLEEVE	1		00.00.0000		9S-109 KLAUE D=96			5	0,000	
120	---	RETAINING RING	1		00.00.0000		S= 2,40- 2,80(ABSTUFUNG:0, 10MM)			3	0,000	
---	0630.501.195	RETAINING RING	1		00.00.0000		60X2,8			5	0,000	
---	0630.501.194	RETAINING RING	1		00.00.0000		60X2,7			5	0,000	
---	0630.501.197	RETAINING RING	1		00.00.0000		60X2,6			5	0,000	
---	0630.531.141	RETAINING RING	1		00.00.0000		60X2,5			5	0,000	
---	0630.501.067	RETAINING RING	1		00.00.0000		60X2,4			5	0,000	
200	0750.115.973	NEEDLE CAGE	1	C0100447 9F10	00.00.0000	00.00.0000	60,0X68,0X39,0			3	0,000	
210	1324.304.021	HELICAL GEAR	1	Z0000378 9910	26.10.2009	26.10.2009	RG 9S1110/9S1310			5	0,000	
230	0750.117.844	TAROLLBEARING	1		00.00.0000		50,8X104,7X36,5			3	0,000	
240	1324.304.028	SUN GEAR	1	C0100656 1F10	00.00.0000	00.00.0000	9 S 1310 TO			5	0,000	
250	---	RETAINING RING	1		00.00.0000		S= 2,10- 3,20(ABSTUFUNG:0, 05MM)			3	0,000	
---	0630.501.151	RETAINING RING	1		00.00.0000		50X3,2			5	0,000	
---	0630.501.298	RETAINING RING	1		00.00.0000		50X3,15			5	0,000	
---	0630.501.150	RETAINING RING	1		00.00.0000		50X3,1			5	0,000	
---	0630.501.299	RETAINING RING	1		00.00.0000		50X3,05			5	0,000	
---	0630.531.065	RETAINING RING	1		00.00.0000		50X3			5	16	
---	0630.501.111	RETAINING RING	1		00.00.0000		50X2,95			5	0,000	
---	0630.501.112	RETAINING RING	1		00.00.0000		50X2,9			5	0,000	
---	0630.501.113	RETAINING RING	1		00.00.0000		50X2,85			5	0,000	
---	0630.501.114	RETAINING RING	1		00.00.0000		50X2,8			5	0,000	

VKF Incidence factor

OTK Optional technical kit

ID Identification (output code)

SP Supplier plant



Pos.	Material number	Name	VKF	Amend. no.	Amend. start	Prod. no.	Material feature / tech. info.	OTK	External material no.	ID	Weight	SP
---	0630.501.115	RETAINING RING	1		00.00.0000		50X2,75			5	0,000	
---	0630.501.116	RETAINING RING	1		00.00.0000		50X2,7			5	0,000	
---	0630.501.117	RETAINING RING	1		00.00.0000		50X2,65			5	0,000	
---	0630.501.118	RETAINING RING	1		00.00.0000		50X2,6			5	0,000	
---	0630.501.160	RETAINING RING	1		00.00.0000		50X2,55			5	0,000	
---	0630.531.064	RETAINING RING	1		00.00.0000		50X2,5			5	0,100	
---	0630.501.159	RETAINING RING	1		00.00.0000		50X2,45			5	0,000	
---	0630.501.148	RETAINING RING	1		00.00.0000		50X2,4			5	0,000	
---	0630.501.294	RETAINING RING	1		00.00.0000		50X2,35			5	0,000	
---	0630.501.147	RETAINING RING	1		00.00.0000		50X2,3			5	0,000	
---	0630.501.295	RETAINING RING	1		00.00.0000		50X2,25			5	0,000	
---	0630.501.146	RETAINING RING	1		00.00.0000		50X2,2			5	0,000	
---	0630.501.296	RETAINING RING	1		00.00.0000		50X2,15			5	0,000	
---	0630.501.145	RETAINING RING	1		00.00.0000		50X2,1			5	0,000	
260	1324.304.014	PIPE	1		00.00.0000		E21			5	0,000	
350	0750.115.971	NEEDLE CAGE	2	C0100448 0F10	00.00.0000	00.00.0000	1G 75,0X83,0X23,0			3	0,000	
360	1324.304.030	HELICAL GEAR	1	Z0000455 0510	03.09.2009	03.09.2009	KLAUE D=100			5	0,000	
370	1324.304.013	CLUTCH BODY	1		00.00.0000		ZF BK131_O			5	0,000	
380	1324.204.007	SYNCHRONIZER	1		00.00.0000		KPL.1+2G			3	0,000	
/10	1324.304.052	SYNCHROBODY	1	Z0000574 1711	01.06.2011	01.06.2011	ZF-BK131			5	0,000	
/20	1324.304.053	SLIDING SLEEVE	1	Z0000574 1711	01.06.2011	01.06.2011	ZF-BK131 ECOMID 1./2. SAMM			5	0,000	
/30	1268.304.594	SYNCHRONING	2		00.00.0000		ZFBK 131			5	0,000	
/50	1297.304.436	PRESSURE PIECE	3		00.00.0000					5	0,004	
/60	0732.040.409	COMPRSPRING	3	C0100731 7F10	00.00.0000	00.00.0000				5	0,002	
450	1324.304.013	CLUTCH BODY	1		00.00.0000		ZF BK131_O			5	0,000	
460	1304.304.050	BUSH	1		00.00.0000		9S-90			5	0,000	

VKF Incidence factor

OTK Optional technical kit

ID Identification (output code)

SP Supplier plant



Pos.	Material number	Name	VKF	Amend. no.	Amend. start	Prod. no.	Material feature / tech. info.	OTK	External material no.	ID	Weight	SP
462	---	RETAINING RING	1		00.00.0000		S= 1,90- 2,40(ABSTUFUNG:0, 10MM)			3	0,000	
---	0630.501.067	RETAINING RING	1		00.00.0000		60X2,4			5	0,000	
---	0630.501.068	RETAINING RING	1		00.00.0000		60X2,3			5	0,000	
---	0630.501.069	RETAINING RING	1		00.00.0000		60X2,2			5	0,000	
---	0630.501.070	RETAINING RING	1		00.00.0000		60X2,1			5	0,000	
---	0630.501.041	RETAINING RING	1		00.00.0000		60X2			5	0,010	
---	0630.501.278	RETAINING RING	1		00.00.0000		60X1,9			5	0,000	
470	0750.115.970	NEEDLE CAGE	1	C0100448 1F10	00.00.0000	00.00.0000	75,0X83,0X40,0			3	0,000	
480	1324.304.015	HELICAL GEAR	1		00.00.0000		2G			5	0,000	
490	0750.115.969	NEEDLE CAGE	2	C0100448 2F10	00.00.0000	00.00.0000	60,0X68,0X25,0			3	0,000	
500	1324.304.003	HELICAL GEAR	1		00.00.0000		4G			5	0,000	
510	1324.304.011	CLUTCH BODY	1		00.00.0000					5	0,000	
520	1324.204.008	SYNCHRONIZER	1		00.00.0000		KPL.3+4G			3	0,000	
/10	1324.304.006	SYNCHROBODY	1		00.00.0000		E21 IN 1304 304 650(0)			5	0,000	
/20	1311.304.103	SLIDING SLEEVE	1		00.00.0000		ZF-BK119			5	0,000	
/30	1311.304.255	SYNCHRONING	2		00.00.0000		ZF BK119			5	0,000	
/50	1297.304.436	PRESSURE PIECE	3		00.00.0000					5	0,004	
/60	0732.040.409	COMPRSPRING	3	C0100731 7F10	00.00.0000	00.00.0000				5	0,002	
540	1324.204.009	CLUTCH BODY	1		00.00.0000		KPL.			3	0,000	
/120	0501.314.108	OIL DAM	1		00.00.0000		79X105,1X5,3*CFW			5	0,000	
550	0750.117.232	TAROLLBEARING	1		00.00.0000		42,0X40,3			3	0,000	
552	---	RETAINING RING	1		00.00.0000		S= 2,00- 2,50(ABSTUFUNG:0, 10MM)			3	0,000	
---	0630.531.052	RETAINING RING	1		00.00.0000		42X2,5			5	10	
---	0630.501.120	RETAINING RING	1		00.00.0000		42X2,4			5	0,000	
---	0630.501.156	RETAINING RING	1		00.00.0000		42X2,3			5	0,000	
---	0630.501.210	RETAINING RING	1		00.00.0000		42X2,2			5	0,000	

VKF Incidence factor

OTK Optional technical kit

ID Identification (output code)

SP Supplier plant



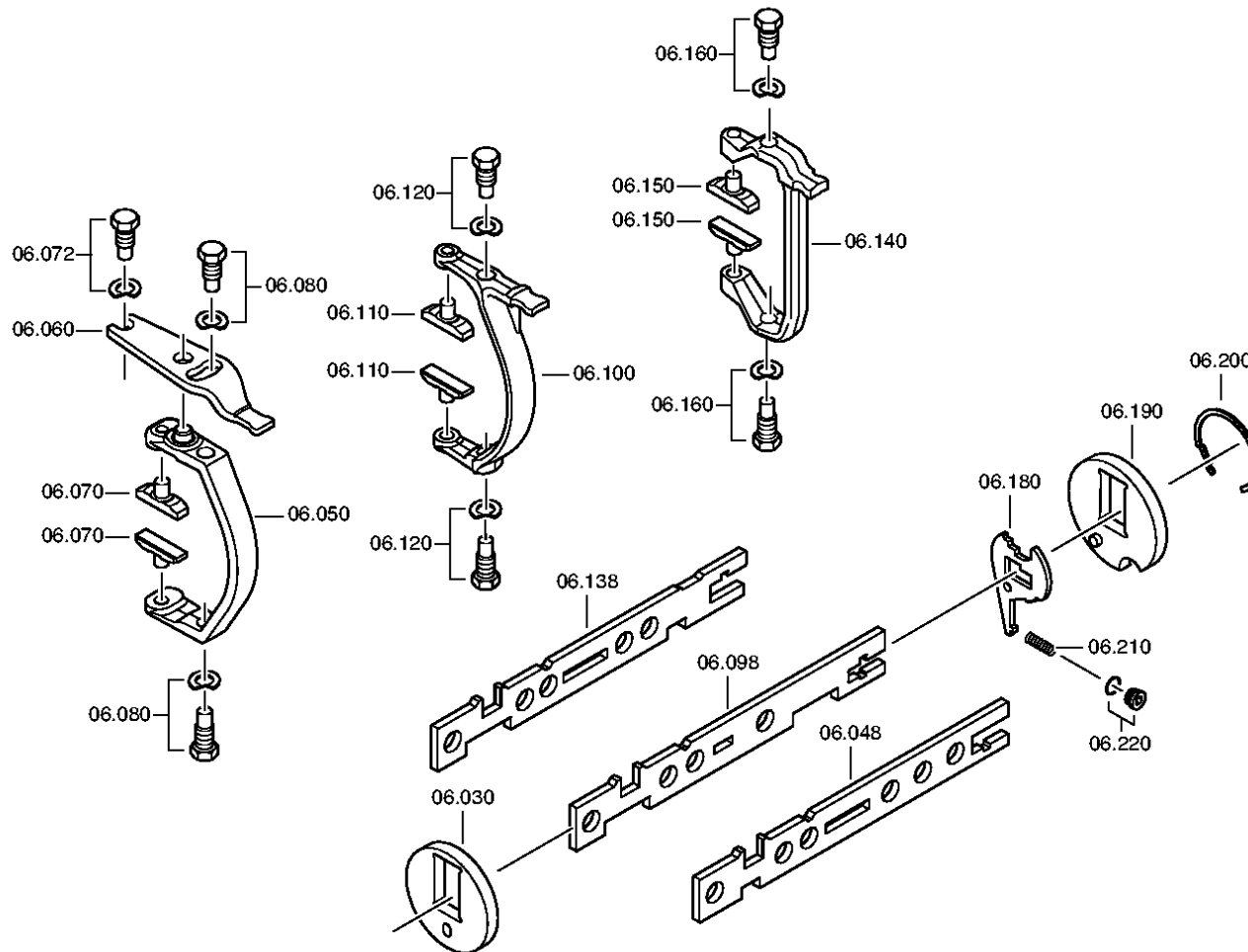
Pos.	Material number	Name	VKF	Amend. no.	Amend. start	Prod. no.	Material feature / tech. info.	OTK	External material no.	ID	Weight	SP
---	0630.501.208	RETAINING RING	1		00.00.0000		42X2,1			5	0,000	
---	0630.501.157	RETAINING RING	1		00.00.0000		42X2,0			5	0,000	

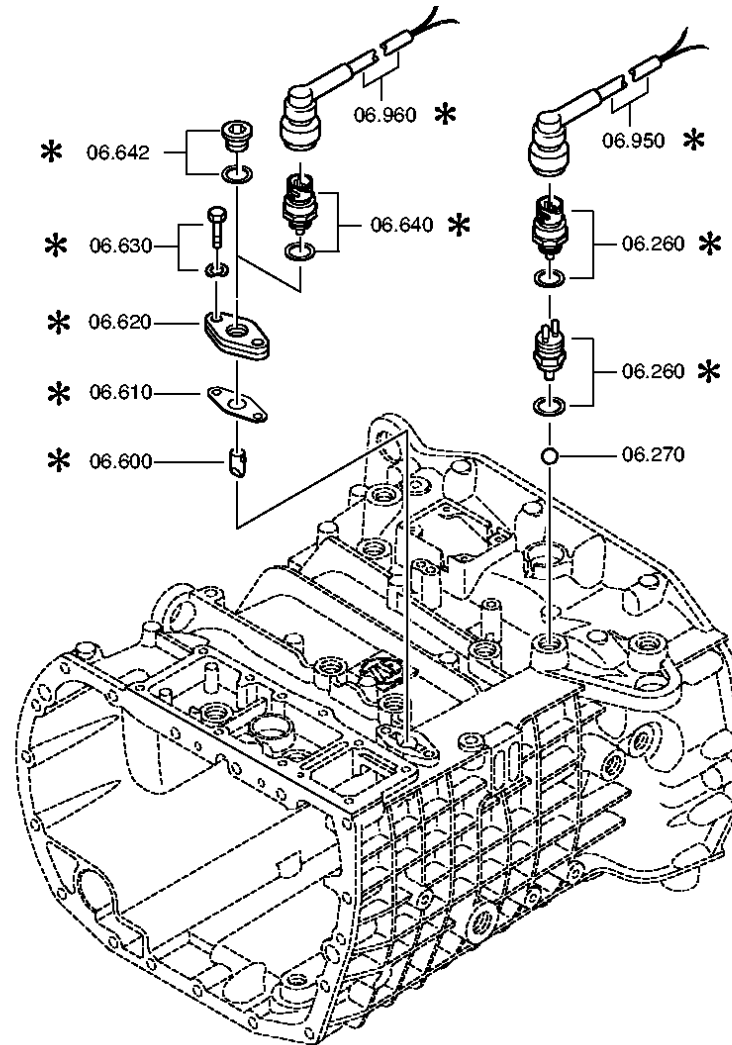
VKF Incidence factor

OTK Optional technical kit

ID Identification (output code)

SP Supplier plant







Pos.	Material number	Name	VKF	Amend. no.	Amend. start	Prod. no.	Material feature / tech. info.	OTK	External material no.	ID	Weight	SP
30	1304.306.089	BEARING PLATE	1		00.00.0000					5	0,000	
48	1324.306.027	GEAR SHIFT RAIL	1	C0100368 7E10	00.00.0000	00.00.0000	3/4			5	0,000	
50	1324.306.031	GEAR SHIFT FORK	1	C0100368 7E10	00.00.0000	00.00.0000	3/4 WITH TOGGEL			5	0,000	
60	1324.306.040	RELAY LEVER	1		00.00.0000					5	0,000	
70	1304.306.107	SLIDING PAD	2	C0100503 9E10	00.00.0000	00.00.0000				5	0,000	
72	---	ARTICULATION BOLT	1		00.00.0000		M18X1,5 SK6			3	0,000	
---	1346.306.089	ARTICULATION BOLT	1	Z0000892 7910	10.02.2011	10.02.2011				5	0,000	
---	0730.301.379	SPRING WASHER	1	Z0000916 0711	01.01.2012	01.01.2012	19X28 19X28			5	0,000	
80	---	ARTICULATION BOLT	2		00.00.0000		M18X1,5 SK6			3	0,000	
---	1346.306.089	ARTICULATION BOLT	2	Z0000892 7910	10.02.2011	10.02.2011				5	0,000	
---	0730.301.379	SPRING WASHER	2	Z0000916 0711	01.01.2012	01.01.2012	19X28 19X28			5	0,000	
98	1324.306.026	GEAR SHIFT RAIL	1	C0100368 7E10	00.00.0000	00.00.0000	1/2			5	0,000	
100	1324.306.013	GEAR SHIFT FORK	1		00.00.0000		1/2*O.UMLLENKUNG			5	0,000	
110	1290.306.066	SLIDING PAD	2		00.00.0000					5	0,037	
120	---	ARTICULATION BOLT	2		00.00.0000		M18X1,5 SK6			3	0,000	
---	1346.306.089	ARTICULATION BOLT	2	Z0000892 7910	10.02.2011	10.02.2011				5	0,000	
---	0730.301.379	SPRING WASHER	2	Z0000916 0711	01.01.2012	01.01.2012	19X28 19X28			5	0,000	
138	1324.306.025	GEAR SHIFT RAIL	1	C0100368 7E10	00.00.0000	00.00.0000	R/C W/O INVERSE			5	0,000	

VKF Incidence factor

OTK Optional technical kit

ID Identification (output code)

SP Supplier plant



Pos.	Material number	Name	VKF	Amend. no.	Amend. start	Prod. no.	Material feature / tech. info.	OTK	External material no.	ID	Weight	SP
140	1324.306.039	GEAR SHIFT FORK	1		00.00.0000					5	0,000	
150	1316.306.015	SLIDING PAD	2	C0100962 7E10	00.00.0000	00.00.0000				5	0,000	
160	---	ARTICULATION BOLT	2		00.00.0000		M18X1,5 SK6			3	0,000	
---	1346.306.089	ARTICULATION BOLT	2	Z0000892 7910	10.02.2011	10.02.2011				5	0,000	
---	0730.301.379	SPRING WASHER	2	Z0000916 0711	01.01.2012	01.01.2012	19X28 19X28			5	0,000	
180	---	LOCKING LEVER	1	C0100468 3E10	00.00.0000	00.00.0000				3	0,000	
---	1324.306.034	LOCKING LEVER	1		00.00.0000					5	0,000	
---	1324.306.033	LOCKING LEVER	1		00.00.0000		E21			5	0,000	
190	1304.306.090	BEARING PLATE	1		00.00.0000		9/16 S 90 HINTEN WAAGRECHT			5	0,000	
200	0730.300.430	SNAP RING	1		00.00.0000					5	0,000	
210	0732.041.374	COMPRSPRING	1		00.00.0000					5	0,000	
220	---	SCREW PLUG	1		00.00.0000		35N.M*DICHTRING M14X1,5			3	0,000	
---	0636.100.689	SCREW PLUG	1	Z0001011 1911	01.01.2012	01.01.2012	M14X1,5			5	0,000	
---	0634.801.217	SEALING RING	1		00.00.0000		14X20			5	0,000	
260	---	SWITCH	1		00.00.0000		SCHL*45N.M*DICHTRING* BAJONETT			3	0,000	
---	0501.210.058	SWITCH	1		00.00.0000		KPL.			5	0,000	
---	0634.801.062	SEALING RING	1		00.00.0000		18X24			5	0,001	
270	0635.460.024	BALL	1		00.00.0000		13			5	0,000	
600	1304.207.002	PIN	1		00.00.0000		KPL.			3	0,000	
610	1268.307.170	GASKET	1		00.00.0000		ENTHALT.IN 1290 306 272(2)			5	0,000	
620	1304.307.083	PLATE	1		00.00.0000		ENTHALT.IN 1304 307 082(2)			5	0,000	
630	---	HEXAGON BOLT	2	Z0000705 9111	01.01.2012	01.01.2012	M8X28			3	0,000	

VKF Incidence factor

OTK Optional technical kit

ID Identification (output code)

SP Supplier plant



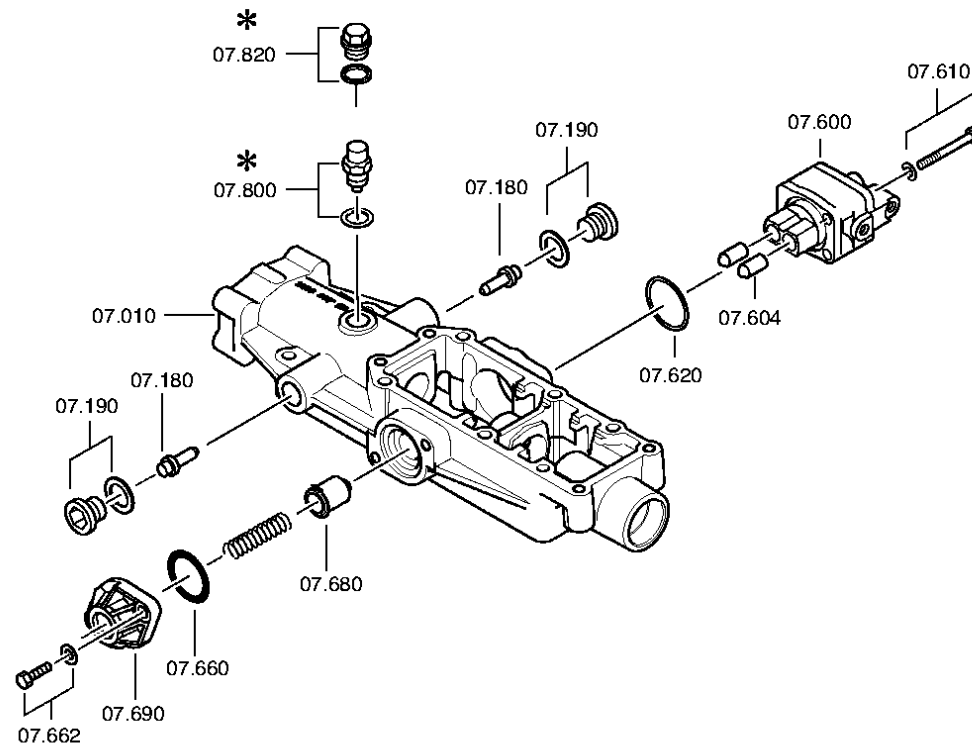
Pos.	Material number	Name	VKF	Amend. no.	Amend. start	Prod. no.	Material feature / tech. info.	OTK	External material no.	ID	Weight	SP
---	0636.016.414	HEXAGON BOLT	2	Z0000705 9116	15.07.2010	15.07.2010	M8X28			5	0,000	
---	0630.100.251	SPRING WASHER	2	Z0000715 9812	01.01.2012	01.01.2012				5	0,000	
640	---	SWITCH	1	C0100653 0E10	00.00.0000	00.00.0000	OEFF*45N.M*DICHTRING* BAJONETT			3	0,000	
---	0501.216.474	SWITCH	1		00.00.0000		KPL.			5	0,050	
---	0634.801.062	SEALING RING	1		00.00.0000		18X24			5	0,001	

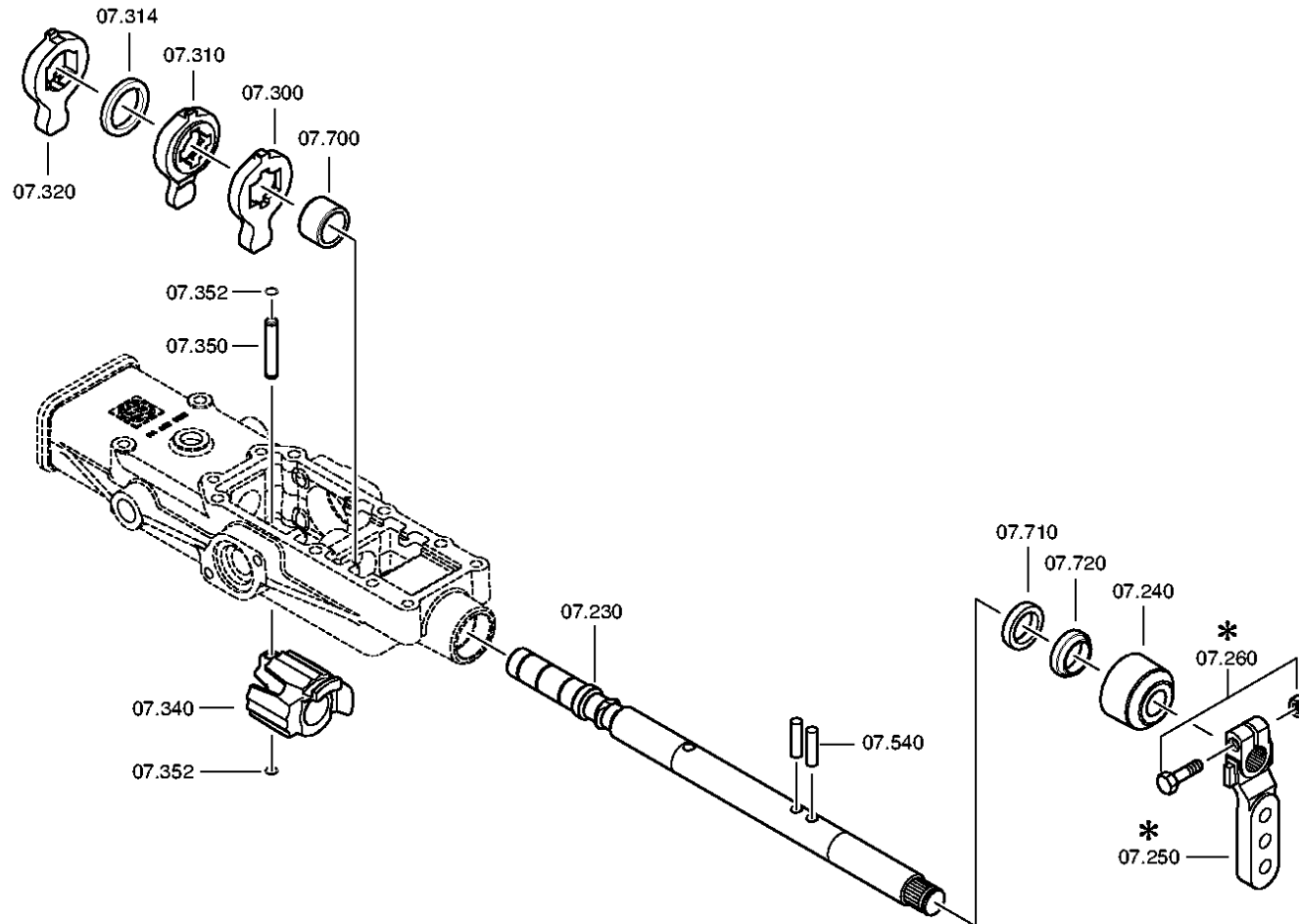
VKF Incidence factor

OTK Optional technical kit

ID Identification (output code)

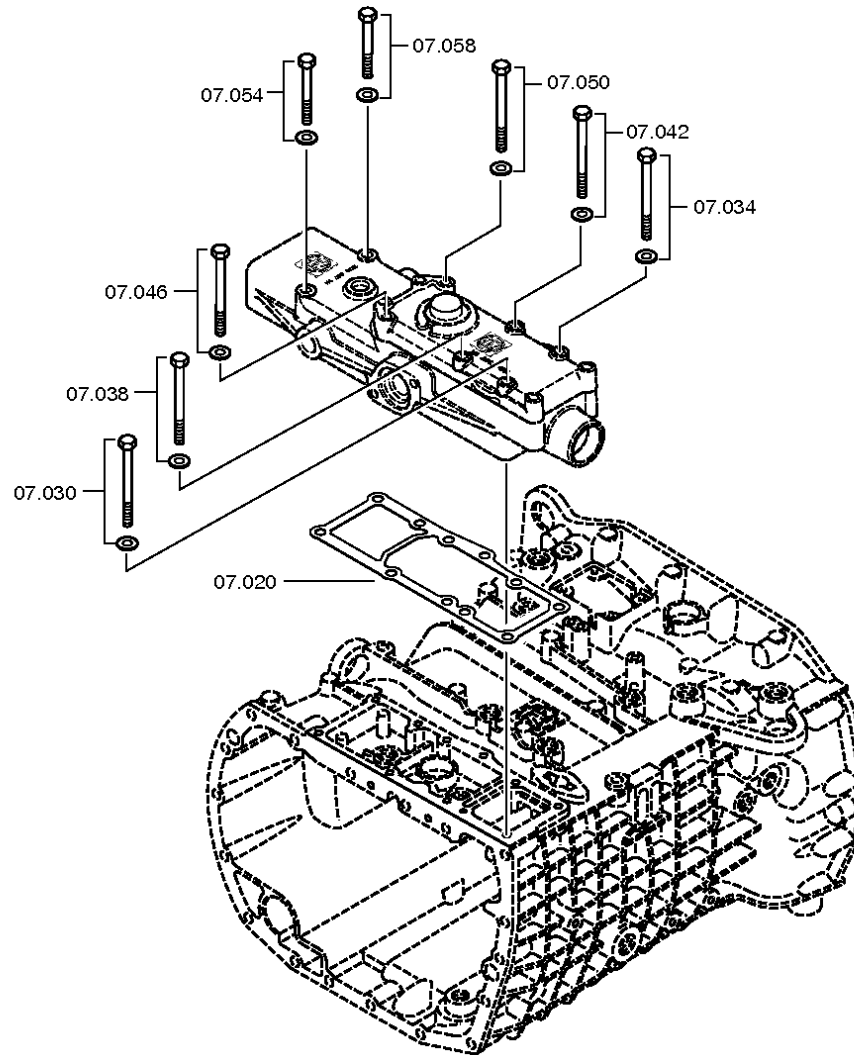
SP Supplier plant





Material number: 1324.001.048
Plant: 062.07.85-1
GEAR SHIFT HOUSING

9 S 1310 TO / KAMAZ PUBLIC JOINT STOCK COMPANY
GEAR SHIFT HOUSING





Pos.	Material number	Name	VKF	Amend. no.	Amend. start	Prod. no.	Material feature / tech. info.	OTK	External material no.	ID	Weight	SP
10	1324.307.207	GEAR SHIFT HOUSING	1	Z0000389 4110	06.04.2009	06.04.2009				5	0,000	
20	0501.324.626	GASKET	1		00.00.0000					5	0,000	
30	---	HEXAGON BOLT	1	C0100090 0F10	00.00.0000	00.00.0000	M8X100			3	0,000	
---	0636.011.763	HEXAGON BOLT	1	Z0000705 3111	01.04.2011	01.04.2011	M8X100			5	0,000	
---	0630.100.295	WASHER	1	Z0000715 8414	01.01.2012	01.01.2012				5	0,000	
34	---	HEXAGON BOLT	1	C0100090 0F10	00.00.0000	00.00.0000	M8X100			3	0,000	
---	0636.011.763	HEXAGON BOLT	1	Z0000705 3111	01.04.2011	01.04.2011	M8X100			5	0,000	
---	0630.100.295	WASHER	1	Z0000715 8414	01.01.2012	01.01.2012				5	0,000	
38	---	HEXAGON BOLT	1	C0100090 0F10	00.00.0000	00.00.0000	M8X100			3	0,000	
---	0636.011.763	HEXAGON BOLT	1	Z0000705 3111	01.04.2011	01.04.2011	M8X100			5	0,000	
---	0630.100.295	WASHER	1	Z0000715 8414	01.01.2012	01.01.2012				5	0,000	
42	---	HEXAGON BOLT	1	C0100090 0F10	00.00.0000	00.00.0000	M8X100			3	0,000	
---	0636.011.763	HEXAGON BOLT	1	Z0000705 3111	01.04.2011	01.04.2011	M8X100			5	0,000	
---	0630.100.295	WASHER	1	Z0000715 8414	01.01.2012	01.01.2012				5	0,000	
46	---	HEXAGON BOLT	1	C0100090 0F10	00.00.0000	00.00.0000	M8X100			3	0,000	
---	0636.011.763	HEXAGON BOLT	1	Z0000705 3111	01.04.2011	01.04.2011	M8X100			5	0,000	

VKF Incidence factor

OTK Optional technical kit

ID Identification (output code)

SP Supplier plant



Pos.	Material number	Name	VKF	Amend. no.	Amend. start	Prod. no.	Material feature / tech. info.	OTK	External material no.	ID	Weight	SP
---	0630.100.295	WASHER	1	Z0000715 8414	01.01.2012	01.01.2012				5	0,000	
50	---	HEXAGON BOLT	1	C0100090 0F10	00.00.0000	00.00.0000	M8X100			3	0,000	
---	0636.011.763	HEXAGON BOLT	1	Z0000705 3111	01.04.2011	01.04.2011	M8X100			5	0,000	
---	0630.100.295	WASHER	1	Z0000715 8414	01.01.2012	01.01.2012				5	0,000	
54	---	HEXAGON BOLT	1	Z0000705 2814	30.12.2011	30.12.2011	M8X75			3	0,000	
---	0636.100.522	HEXAGON BOLT	1	Z0000705 2812	04.08.2010	04.08.2010	M8X75			5	0,000	
---	0630.100.295	WASHER	1	Z0000715 8414	01.01.2012	01.01.2012				5	0,000	
58	---	HEXAGON BOLT	1	Z0000705 2814	30.12.2011	30.12.2011	M8X75			3	0,000	
---	0636.100.522	HEXAGON BOLT	1	Z0000705 2812	04.08.2010	04.08.2010	M8X75			5	0,000	
---	0630.100.295	WASHER	1	Z0000715 8414	01.01.2012	01.01.2012				5	0,000	
180	1346.307.020	BOLT	2		00.00.0000					5	0,000	
190	---	SCREW PLUG	2	Z0001011 1513	01.01.2012	01.01.2012	35N.M*DICHTRING M18X1,5			3	0,000	
---	0636.100.791	SCREW PLUG	2	Z0001011 1521	15.11.2010	15.11.2010	M18X1,5			5	0,000	
---	0634.801.062	SEALING RING	2	Z0001011 1521	15.11.2010	15.11.2010	18X24			5	0,001	
230	1324.307.134	GEAR SHIFT SHAFT	1	C0100872 1E10	00.00.0000	00.00.0000	WL W1			5	0,000	
240	1324.307.268	PROTECTING CAP	1	Z0000917 4312	02.01.2012	02.01.2012				5	0,000	
250	0637.510.211	PLUG	1		00.00.0000					5	0,000	

VKF Incidence factor

OTK Optional technical kit

ID Identification (output code)

SP Supplier plant



Pos.	Material number	Name	VKF	Amend. no.	Amend. start	Prod. no.	Material feature / tech. info.	OTK	External material no.	ID	Weight	SP
300	1324.307.102	DRIVER	1		00.00.0000		3/4 GEAR			5	0,000	
310	1324.307.073	DRIVER	1		00.00.0000		1/2 GANG			5	0,000	
314	0730.113.437	RING	1		00.00.0000					5	0,000	
320	1324.307.074	DRIVER	1		00.00.0000					5	0,000	
340	1324.307.116	DETENT PART	1	C0100872 1E10	00.00.0000	00.00.0000	WB1			5	0,000	
350	0731.201.767	PIN	1		00.00.0000					5	0,000	
352	0630.513.041	SNAP RING	2		00.00.0000					5	0,000	
540	0731.201.765	CYLINDRICAL PIN	2		00.00.0000					5	0,000	
600	6038.202.045	CUT-OFF VALVE	1		00.00.0000		KPL.H-H*ABLUFTDROSSEL 2,50			3	0,000	
604	0501.209.188	BALL ROLLER	2		00.00.0000		KPL.			5	0,000	
610	---	HEXAGON BOLT	4		00.00.0000		M8X65			3	0,000	
---	0636.100.519	HEXAGON BOLT	4	Z0000705 4112	01.01.2012	01.01.2012	M8X65			5	0,000	
---	0630.100.295	WASHER	4	Z0000715 8414	01.01.2012	01.01.2012				5	0,000	
620	0634.313.505	O-RING	1		00.00.0000		42X3			5	0,000	
660	0634.303.332	O-RING	1		00.00.0000		32X4			5	0,002	
662	---	HEXAGON BOLT	2	Z0000789 1312	01.01.2012	01.01.2012	M8X30			3	0,000	
---	0636.100.797	HEXAGON BOLT	2	Z0000789 1310	07.09.2010	07.09.2010	M8X30			5	0,000	
---	0630.100.295	WASHER	2	Z0000715 8414	01.01.2012	01.01.2012				5	0,000	
680	0501.314.501	STOP PIN	1		00.00.0000					5	0,000	
690	1304.307.331	COVER	1		00.00.0000		ENTHALT.IN 1304 307 329(2)			5	0,000	
700	0730.260.330	BEARING BUSH	1		00.00.0000		A=20,00 IN 0730 260 546(2)			5	0,000	
710	---	SHAFT SEAL	1		00.00.0000					3	0,000	
---	0634.300.302	SHAFT SEAL	1		00.00.0000		25X35X7			5	0,000	
---	0734.300.196	SHAFT SEAL	1		00.00.0000		25X35X7 FA.CFW			5	0,000	

VKF Incidence factor

OTK Optional technical kit

ID Identification (output code)

SP Supplier plant



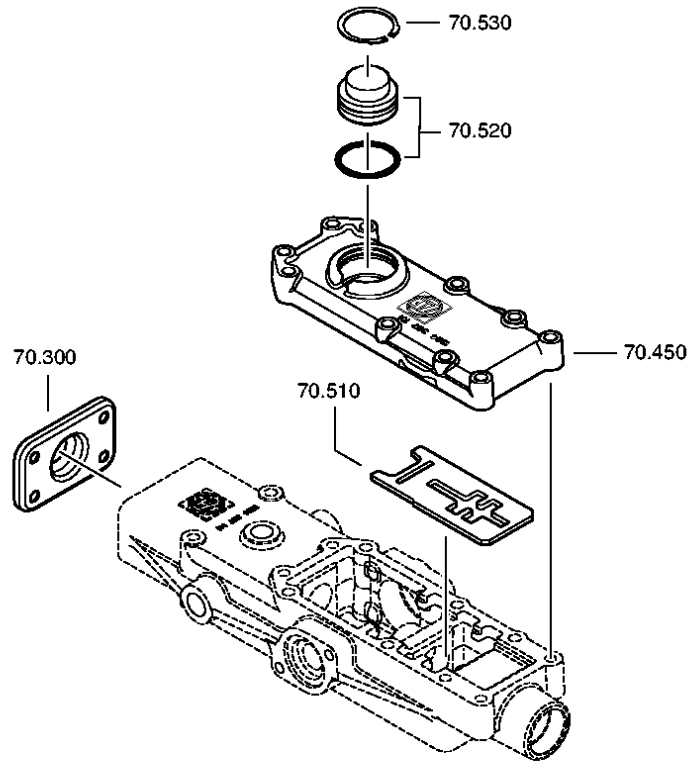
Pos.	Material number	Name	VKF	Amend. no.	Amend. start	Prod. no.	Material feature / tech. info.	OTK	External material no.	ID	Weight	SP
720	0634.307.367	SCRAPER	1		00.00.0000					5	0,009	
800	---	DETENT PLUNGER	1		00.00.0000		153N*50N.M*90GRAD*AUSF .C			3	0,000	
---	1304.207.059	DETENT PLUNGER	1		00.00.0000		KPL. *153 N			3	0,000	
---	0730.008.604	SEALING RING	1		00.00.0000		A16X22			5	0,000	

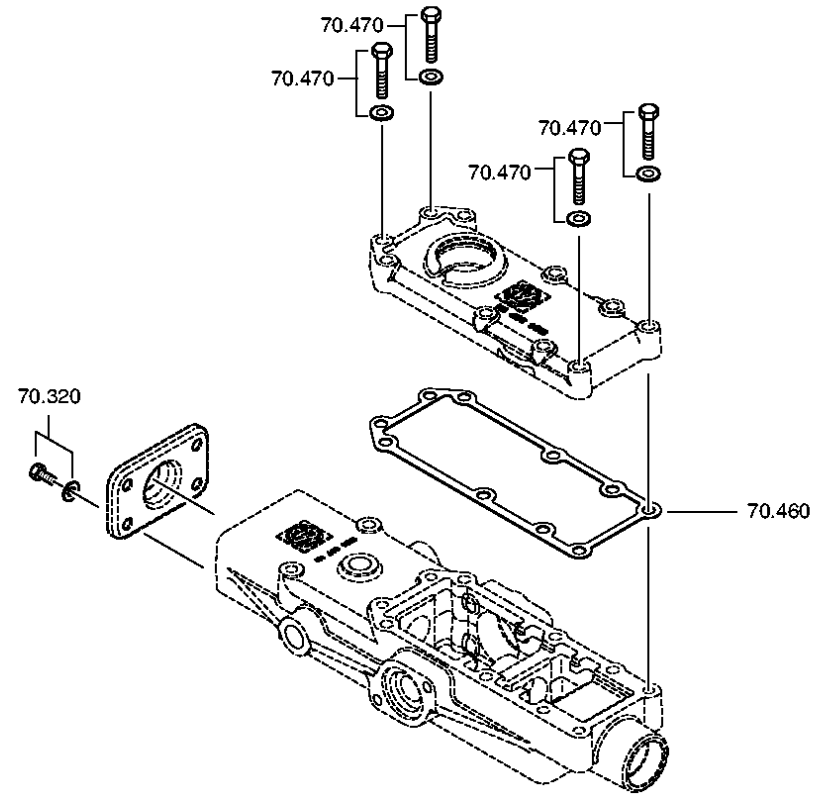
VKF Incidence factor

OTK Optional technical kit

ID Identification (output code)

SP Supplier plant







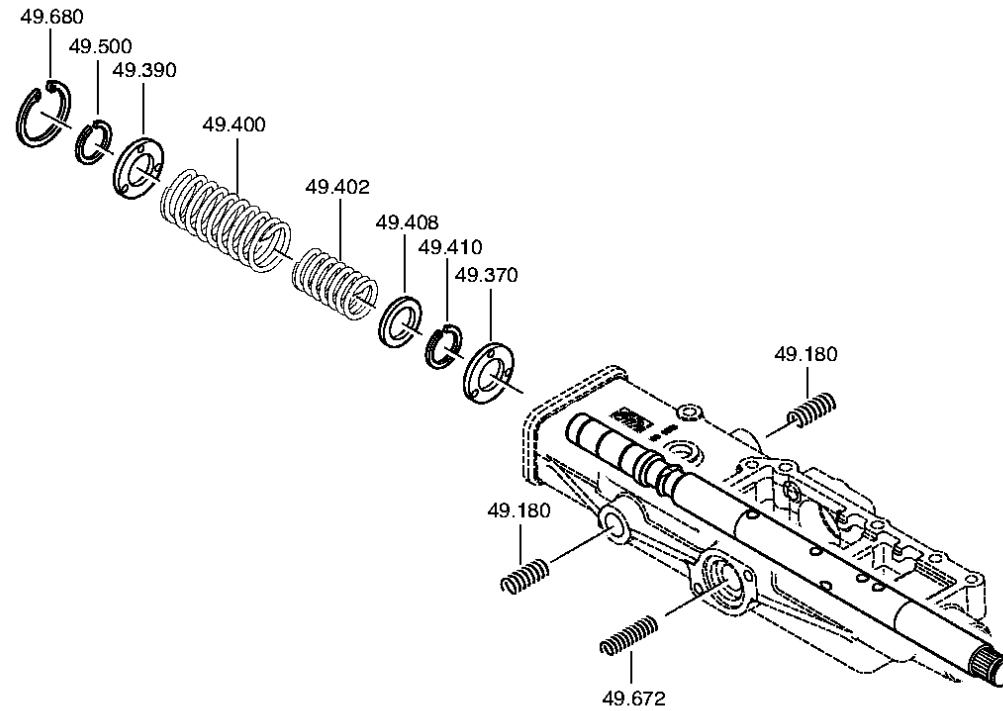
Pos.	Material number	Name	VKF	Amend. no.	Amend. start	Prod. no.	Material feature / tech. info.	OTK	External material no.	ID	Weight	SP
300	1341.307.113	COVER	1	Z0000927 1410	01.01.2012	01.01.2012				5	0,000	
320	---	HEXAGON BOLT	4	Z0000789 1111	01.01.2012	01.01.2012	M8X20			3	0,000	
---	0636.100.796	HEXAGON BOLT	4	Z0000789 1120	08.09.2010	08.09.2010	M8X20			5	0,000	
---	0630.100.295	WASHER	4	Z0000715 8416	01.01.2012	01.01.2012				5	0,000	
450	1324.307.258	COVER	1	Z0000882 0111	06.10.2010	06.10.2010				5	0,000	
460	1324.307.082	GASKET	1		00.00.0000		E21			5	0,000	
470	---	HEXAGON BOLT	2	Z0000705 8611	01.01.2012	01.01.2012	M8X40			3	0,000	
---	0636.100.630	HEXAGON BOLT	2	Z0000705 8610	18.08.2010	18.08.2010	M8X40			5	0,000	
---	0630.100.295	WASHER	2	Z0000715 8414	01.01.2012	01.01.2012				5	0,000	
480	---	HEXAGON BOLT	2	Z0000705 8611	01.01.2012	01.01.2012	M8X40			3	0,000	
---	0636.100.630	HEXAGON BOLT	2	Z0000705 8610	18.08.2010	18.08.2010	M8X40			5	0,000	
---	0630.100.295	WASHER	2	Z0000715 8414	01.01.2012	01.01.2012				5	0,000	
510	1324.307.194	SHIFTING INTERLOCK	1		00.00.0000					5	0,000	
520	0501.318.597	DETENT	1	C0100338 4F10	00.00.0000	00.00.0000				5	0,000	
530	0630.532.130	V-RING	1		00.00.0000					5	0,000	

VKF Incidence factor

OTK Optional technical kit

ID Identification (output code)

SP Supplier plant





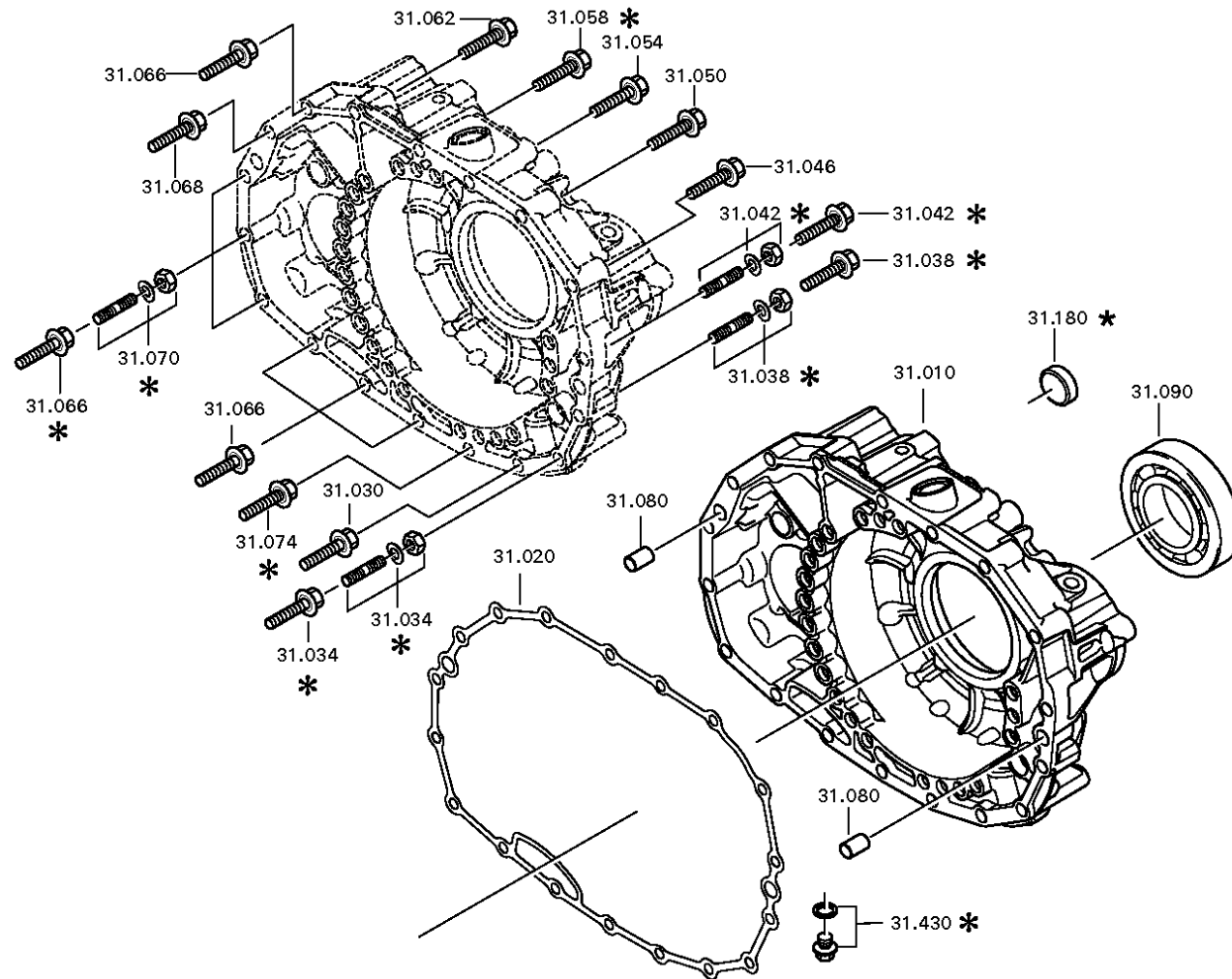
Pos.	Material number	Name	VKF	Amend. no.	Amend. start	Prod. no.	Material feature / tech. info.	OTK	External material no.	ID	Weight	SP
180	0732.041.500	COMPRSPRING	2		00.00.0000					5	0,000	
370	0730.301.376	WASHER	1	Z0000891 7410	31.12.2011	31.12.2011				5	0,000	
390	0730.301.376	WASHER	1	Z0000891 7410	31.12.2011	31.12.2011				5	0,000	
400	0732.040.630	COMPRSPRING	1		00.00.0000					5	0,000	
402	1204.307.334	COMPRSPRING	1		00.00.0000					5	0,000	
408	0730.301.374	WASHER	1	Z0000891 7310	01.01.2012	01.01.2012	A=2,00 A=2,00			5	0,000	
410	0630.532.138	V-RING	1		00.00.0000					5	0,000	
500	0630.532.138	V-RING	1		00.00.0000					5	0,000	
672	0732.040.819	COMPRSPRING	1		00.00.0000					5	0,000	
680	0630.502.022	RETAINING RING	1		00.00.0000		40X1,75			5	4,800	

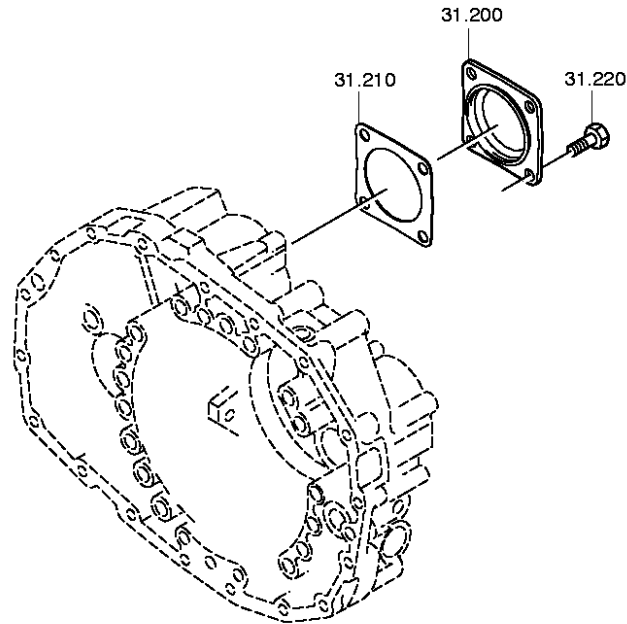
VKF Incidence factor

OTK Optional technical kit

ID Identification (output code)

SP Supplier plant







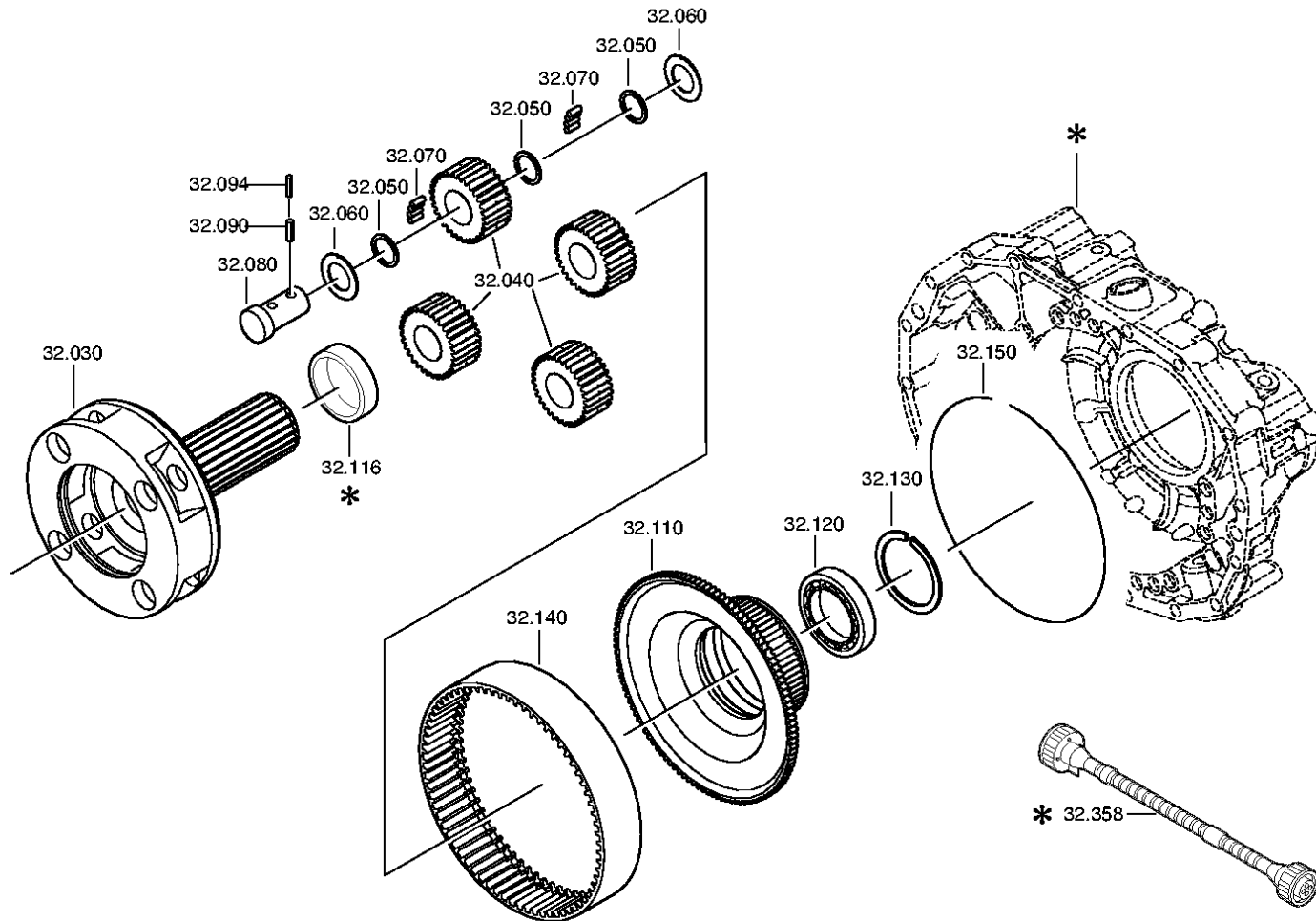
Pos.	Material number	Name	VKF	Amend. no.	Amend. start	Prod. no.	Material feature / tech. info.	OTK	External material no.	ID	Weight	SP
10	1304.301.382	HOUSING III	1	Z0000150 2414	12.11.2008	12.11.2008				5	0,000	
20	1304.301.305	GASKET	1		00.00.0000					5	0,000	
30	0736.300.122	HEXAGON BOLT	1	Z0000940 3110	01.01.2012	01.01.2012	M10X110 M10X110			5	0,000	
34	0736.300.122	HEXAGON BOLT	1	Z0000940 3110	01.01.2012	01.01.2012	M10X110 M10X110			5	0,000	
38	0736.300.123	HEXAGON BOLT	1		00.00.0000		M10X70 M10X70			5	0,000	
42	0736.300.124	HEXAGON BOLT	1	Z0000940 2910	01.01.2012	01.01.2012	M10X50 M10X50			5	0,000	
46	0736.300.123	HEXAGON BOLT	1		00.00.0000		M10X70 M10X70			5	0,000	
50	0736.300.123	HEXAGON BOLT	1		00.00.0000		M10X70 M10X70			5	0,000	
54	0736.300.122	HEXAGON BOLT	1	Z0000940 3110	01.01.2012	01.01.2012	M10X110 M10X110			5	0,000	
58	0736.300.122	HEXAGON BOLT	1	Z0000940 3110	01.01.2012	01.01.2012	M10X110 M10X110			5	0,000	
62	0736.300.123	HEXAGON BOLT	1		00.00.0000		M10X70 M10X70			5	0,000	
66	0736.300.123	HEXAGON BOLT	3		00.00.0000		M10X70 M10X70			5	0,000	
68	0736.300.123	HEXAGON BOLT	1		00.00.0000		M10X70 M10X70			5	0,000	
70	0736.300.123	HEXAGON BOLT	3		00.00.0000		M10X70 M10X70			5	0,000	
72	0736.300.123	HEXAGON BOLT	1		00.00.0000		M10X70 M10X70			5	0,000	
74	0736.300.122	HEXAGON BOLT	1	Z0000940 3110	01.01.2012	01.01.2012	M10X110 M10X110			5	0,000	
80	0631.306.229	CYLINDRICAL PIN	2		00.00.0000		16X36			5	0,000	
90	0750.116.404	BALL BEARING	1	Z0000150 2414	12.11.2008	12.11.2008	80,0X140,0X26,0			3	0,000	
200	1328.301.170	COVER	1	Z0000806 8012	01.01.2012	01.01.2012				5	0,000	
210	1238.308.201	GASKET	1		00.00.0000		ENTHALT.IN 1238 308 202(2)			5	0,000	
220	0636.016.406	HEXAGON BOLT	4	Z0000706 1014	01.01.2012	01.01.2012	M12X25			5	0,000	

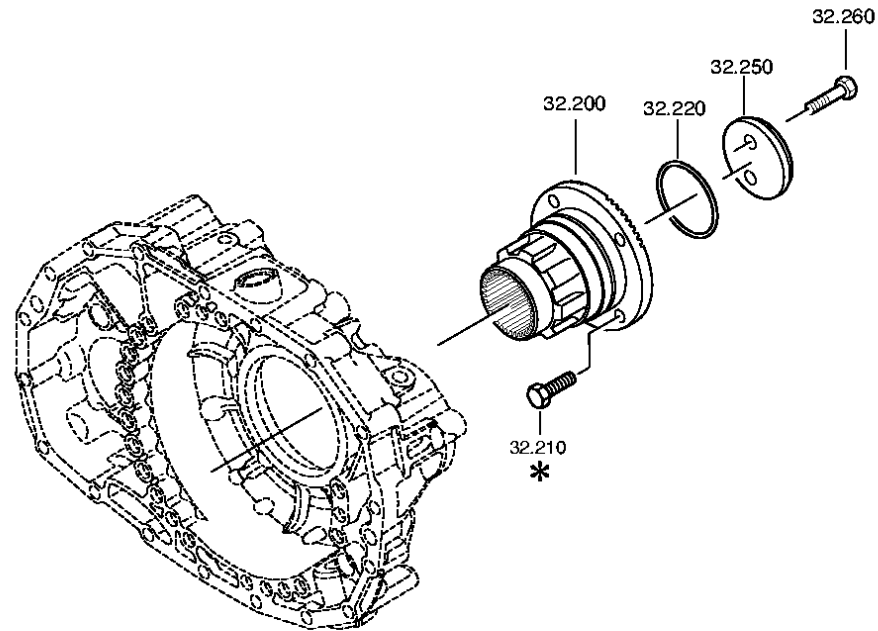
VKF Incidence factor

OTK Optional technical kit

ID Identification (output code)

SP Supplier plant







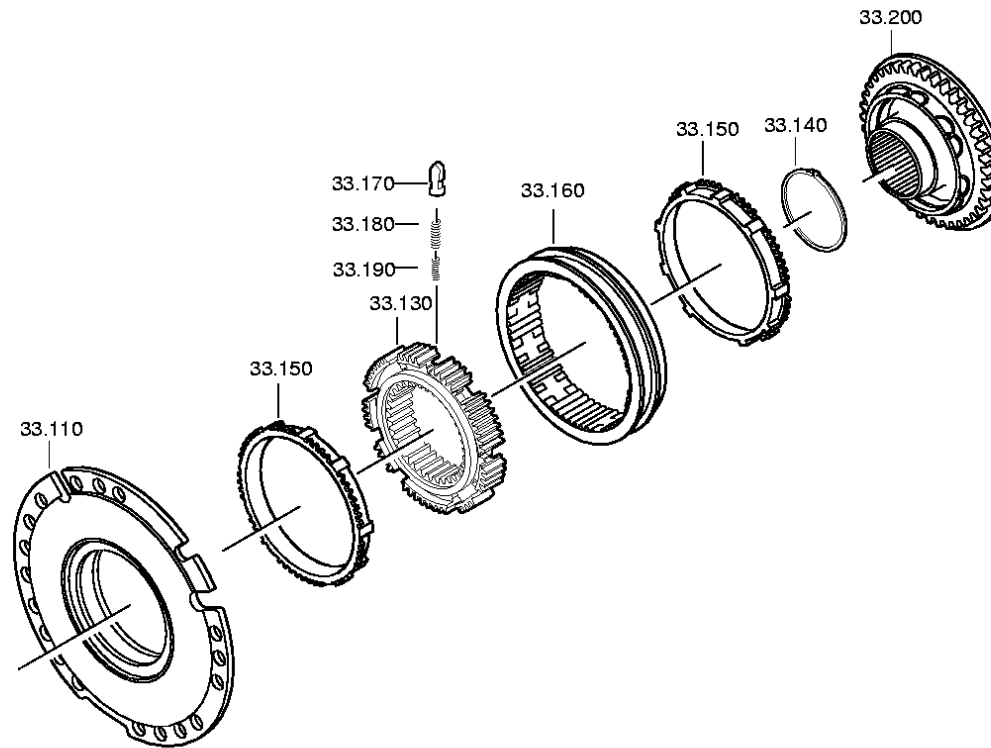
Pos.	Material number	Name	VKF	Amend. no.	Amend. start	Prod. no.	Material feature / tech. info.	OTK	External material no.	ID	Weight	SP
30	1324.232.004	PLANET CARRIER	1		00.00.0000		KPL. *NEW ECOMID			3	0,000	
40	1324.232.002	PLANET GEAR SET	1		00.00.0000		KPL.			3	0,000	
50	0730.103.102	INTERMWASHER	12		00.00.0000		A=1,50 IN 0730 105 951(2)			5	0,000	
60	0730.150.767	WASHER	8	C0100302 3E10	00.00.0000	00.00.0000	A=1,50 IN 0501 304 086(2)			5	0,000	
70	0735.470.115	NEEDLE ROLLER	160		00.00.0000		5,0X15,3 FA.INA			5	0,000	
80	1324.332.016	PLANET SHAFT	4	C0100331 3F10	00.00.0000	00.00.0000	9 S 1310			5	0,000	
90	0631.329.049	SLOTPIN	4		00.00.0000		5X22			5	2	
94	0631.329.175	SLOTPIN	4		00.00.0000		3X22			5	0,000	
110	1324.332.007	RING GEAR CARRIER	1		00.00.0000					5	0,000	
120	0735.330.804	BALL BEARING	1		00.00.0000		70,0X110,0X13,0 FA.FAG			5	0,000	
130	---	SNAP RING	1		00.00.0000		S= 2,00- 2,50(ABSTUFUNG:0, 10MM)			3	0,000	
---	0730.513.755	SNAP RING	1		00.00.0000					5	0,000	
---	0730.513.756	SNAP RING	1		00.00.0000					5	0,000	
---	0730.513.757	SNAP RING	1		00.00.0000					5	0,000	
---	0730.513.758	SNAP RING	1		00.00.0000					5	0,000	
---	0730.513.759	SNAP RING	1		00.00.0000					5	0,000	
---	0730.513.760	SNAP RING	1		00.00.0000					5	0,000	
140	1324.332.018	RING GEAR	1		00.00.0000		ECOMID NEW			5	0,000	
150	0730.505.053	LOCKING WIRE	1		00.00.0000		A=2,50 IN 0730 505 052(2)			5	0,000	
200	1304.338.097	OUTPUT FLANGE	1		00.00.0000					5	0,000	
210	---	HEXAGON BOLT	4	Z0000490 1311	15.12.2010	15.12.2010	SCHUTZKAPPE M14X1,5X50			3	0,000	
220	0634.313.223	O-RING	1		00.00.0000		59,2X5,7			5	0,000	
250	1304.338.045	WASHER	1		00.00.0000		ENTHALT.IN 1295 332 063(2)			5	0,000	
260	0636.016.407	HEXAGON BOLT	2	Z0000911 1110	29.04.2011	29.04.2011	M12X50			5	0,000	

VKF Incidence factor

OTK Optional technical kit

ID Identification (output code)

SP Supplier plant



Parts list
Page 1 from 1

Material number: 1324.001.048 9 S 1310 TO / KAMAZ PUBLIC JOINT STOCK COMPANY
Plant: 062.45.05-1
Material-assembly-group-no: 1324.133.001



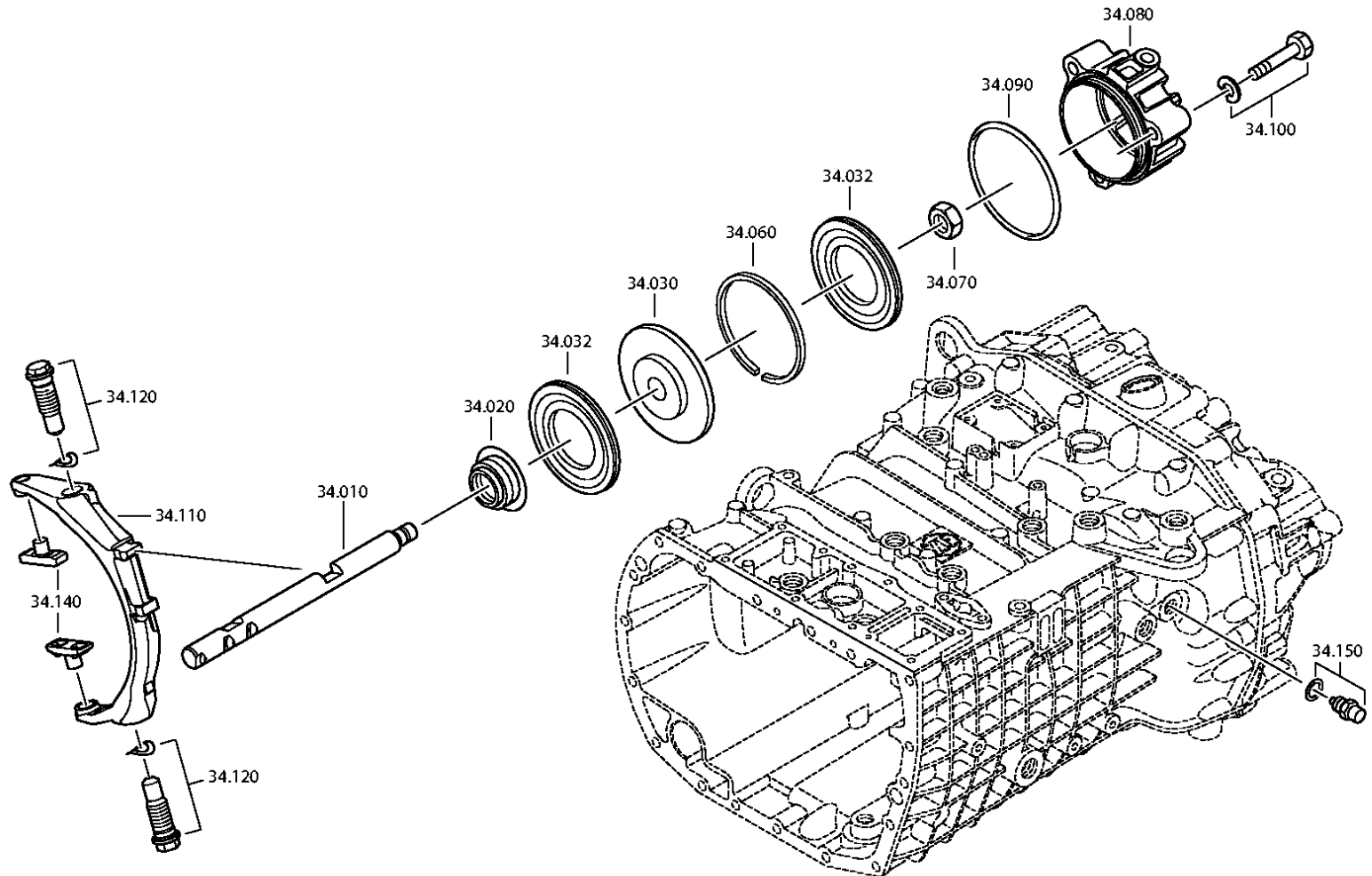
Pos.	Material number	Name	VKF	Amend. no.	Amend. start	Prod. no.	Material feature / tech. info.	OTK	External material no.	ID	Weight	SP
110	1304.233.006	CLUTCH BODY	1		00.00.0000					3	0,000	
130	1313.333.001	SYNCHROBODY	1		00.00.0000		ENTHALT.IN 1296 333 014(1)			5	0,000	
140	---	RETAINING RING	1		00.00.0000		S= 3,70- 4,00(ABSTUFUNG:0, 10MM)			3	0,000	
---	0630.501.061	RETAINING RING	1		00.00.0000		125X4			5	0,100	
---	0630.501.173	RETAINING RING	1		00.00.0000		125X3,9			5	0,000	
---	0630.501.174	RETAINING RING	1		00.00.0000		125X3,8			5	0,000	
---	0630.501.175	RETAINING RING	1		00.00.0000		125X3,7			5	0,000	
150	1296.333.045	SYNCHRO RING	2		00.00.0000					5	0,000	
160	1304.333.011	SLIDING SLEEVE	1		00.00.0000		ENTHALT.IN 1304 333 013(0)			5	0,000	
170	1240.304.278	PRESSURE PIECE	9		00.00.0000					5	0,000	
180	0732.040.385	COMPRSPRING	9		00.00.0000					5	0,000	
190	0732.040.386	COMPRSPRING	9	C0100731 7F10	00.00.0000	00.00.0000				5	0,000	
200	1324.233.001	CLUTCH BODY	1		00.00.0000					3	0,000	

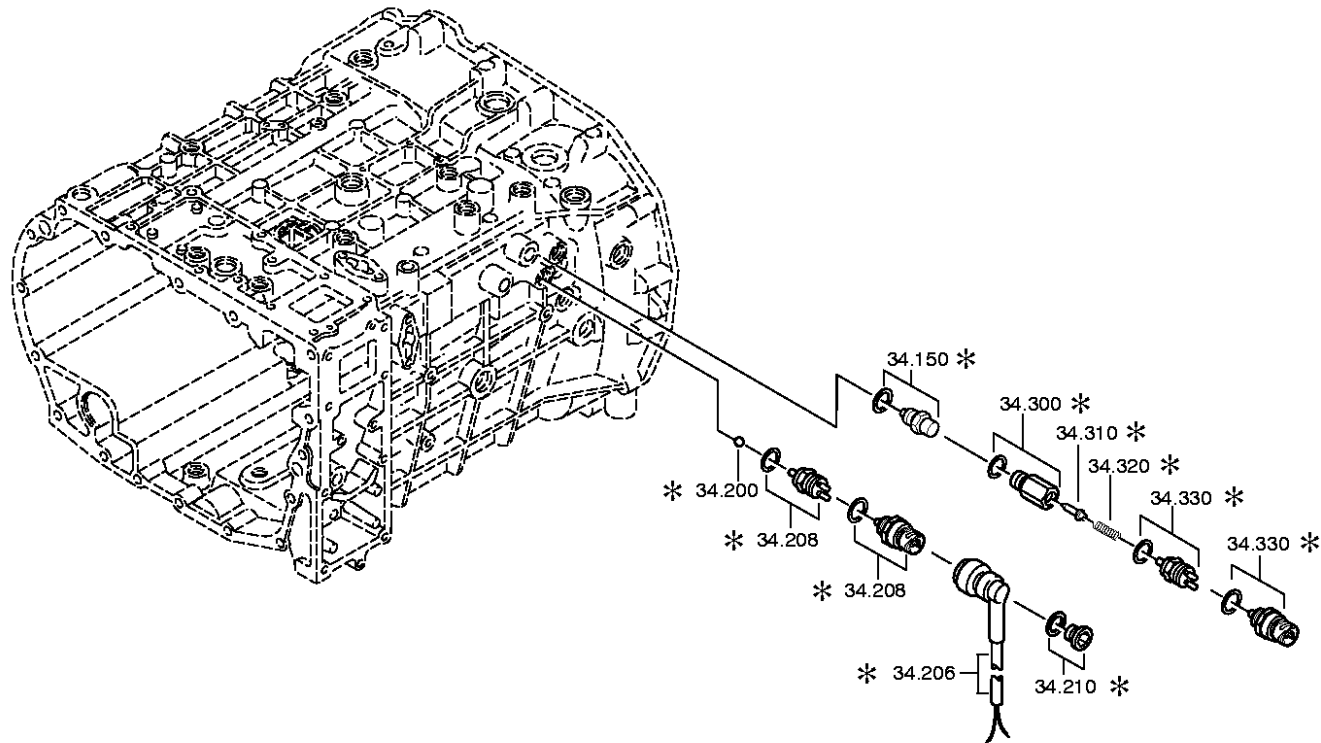
VKF Incidence factor

OTK Optional technical kit

ID Identification (output code)

SP Supplier plant







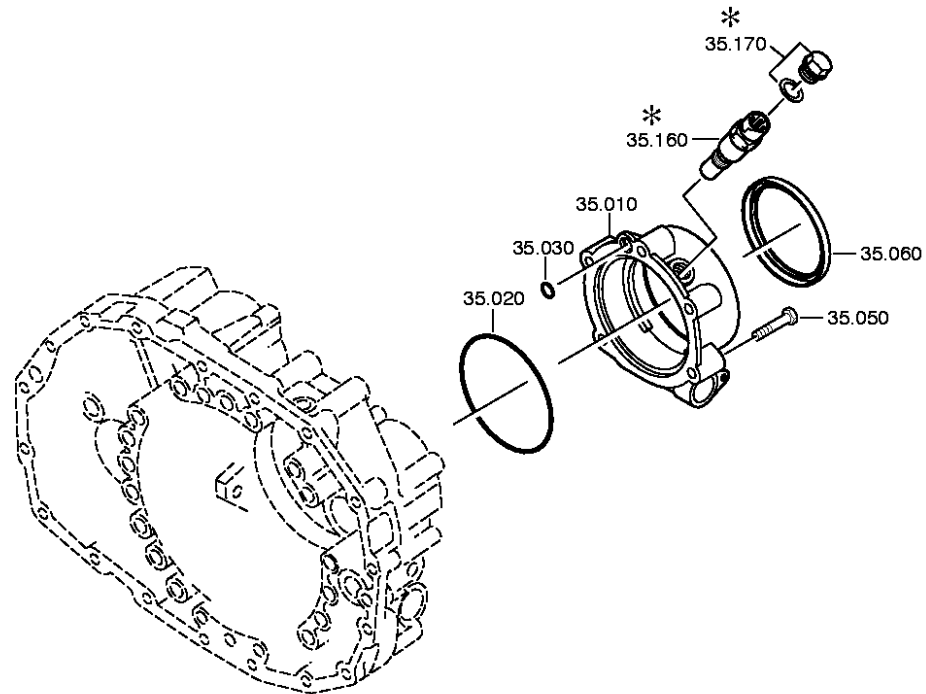
Pos.	Material number	Name	VKF	Amend. no.	Amend. start	Prod. no.	Material feature / tech. info.	OTK	External material no.	ID	Weight	SP
10	1324.334.004	GEAR SHIFT RAIL	1	C0100468 3E10	00.00.0000	00.00.0000	GP			5	0,000	
20	0750.112.047	FLANGE PACKING	1		00.00.0000		22X36X14,5			3	0,000	
30	1315.334.041	PISTON	1		00.00.0000		ENTHALT.IN 1315 334 040(2)			5	0,000	
32	0734.307.287	SEALING RING	2		00.00.0000		50X100X7,5 FA.KACO			5	0,000	
60	0750.112.096	GUIDE RING	1		00.00.0000		95X100X5,6			3	0,000	
70	0737.300.037	LOCKING NUT	1	Z0000892 9010	01.01.2012	01.01.2012	MS16X1,5			5	0,000	
80	1304.334.079	CYLINDER	1		00.00.0000					5	0,000	
90	0634.313.338	O-RING	1		00.00.0000		108X3			5	0,000	
100	0736.300.123	HEXAGON BOLT	3		00.00.0000		M10X70 M10X70			5	0,000	
110	1304.334.063	GEAR SHIFT FORK	1		00.00.0000					5	0,000	
120	---	ARTICULATION BOLT	2	Z0000569 2510	31.12.2010	31.12.2010	O.SCHEIBE M24X1,5 SK6			3	0,000	
---	1315.334.074	ARTICULATION BOLT	2	Z0000407 5610	01.07.2011	01.07.2011				5	0,000	
140	1272.334.003	SLIDING PAD	2		00.00.0000					5	0,000	
150	---	DETENT PLUNGER	1		00.00.0000		145N*50N.M			3	0,000	
---	1324.207.035	DETENT PLUNGER	1		00.00.0000		KPL. *145 N			3	0,000	
---	0730.008.604	SEALING RING	1		00.00.0000		A16X22			5	0,000	
200	0635.460.024	BALL	1		00.00.0000		13			5	0,000	
208	---	SWITCH	1	C0100653 0E10	00.00.0000	00.00.0000	OEFF*45N.M*DICHTRING* BAJONETT			3	0,000	
---	0501.216.474	SWITCH	1		00.00.0000		KPL.			5	0,050	
---	0634.801.062	SEALING RING	1		00.00.0000		18X24			5	0,001	

VKF Incidence factor

OTK Optional technical kit

ID Identification (output code)

SP Supplier plant





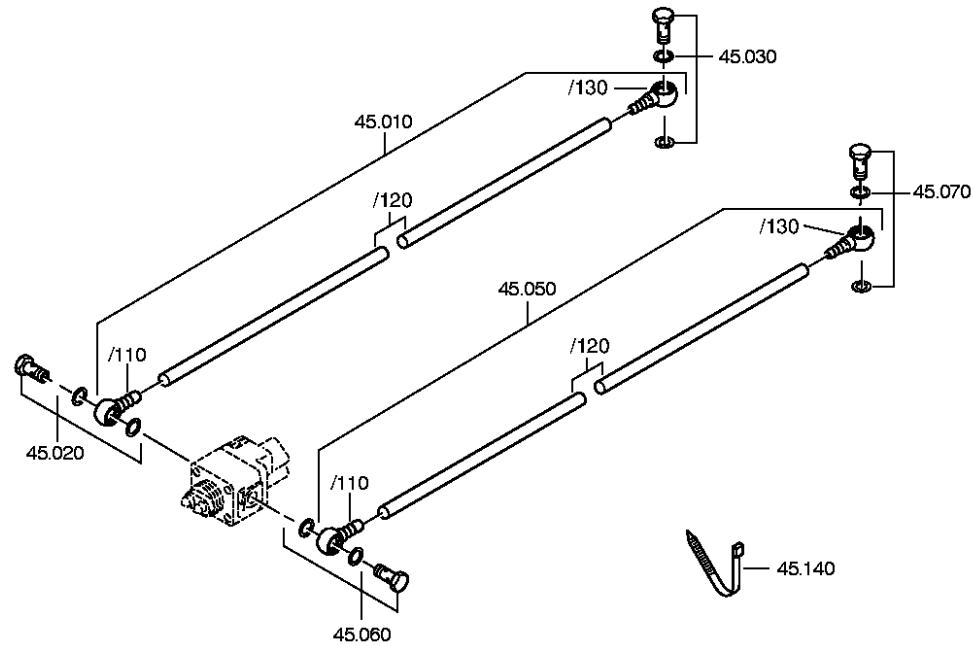
Pos.	Material number	Name	VKF	Amend. no.	Amend. start	Prod. no.	Material feature / tech. info.	OTK	External material no.	ID	Weight	SP
10	1304.301.410	SPEEDOMETER COVER	1	Z0000150 2410	13.11.2008	13.11.2008				5	0,000	
20	0634.303.110	O-RING	1		00.00.0000		138X3			5	3,900	
30	0634.316.181	O-RING	1		00.00.0000		10X3			5	0,000	
50	0636.016.405	HEXAGON BOLT	5	Z0000706 0112	01.01.2012	01.01.2012	M10X60			5	0,000	
60	0734.319.459	SHAFT SEAL	1		00.00.0000		105X125X12/9,5 FA.CFW			5	0,000	
160	---	PULSE SENSOR	1		00.00.0000		45N.M*O.DICHTRING* BAJONETT*L=19,8			3	0,000	
---	0501.210.855	PULSE SENSOR	1		00.00.0000		KPL. IN 0501 210 854(3)			5	0,090	

VKF Incidence factor

OTK Optional technical kit

ID Identification (output code)

SP Supplier plant





Pos.	Material number	Name	VKF	Amend. no.	Amend. start	Prod. no.	Material feature / tech. info.	OTK	External material no.	ID	Weight	SP
10	6007.202.079	PIPE	1		00.00.0000		KPL.500,00MM			3	0,000	
/110	0637.100.421	RING PIECE	1	Z0001045 6710	31.03.2011	31.03.2011				5	0,000	
/120	0632.702.904	PIPE	500	C0100872 2A10	00.00.0000	00.00.0000	12X2			5	0,000	
/130	0637.100.421	RING PIECE	1	Z0001045 6710	31.03.2011	31.03.2011				5	0,000	
20	---	UNION SCREW	1	Z0001027 4511	01.01.2012	01.01.2012	M14X1,5			3	0,000	
---	0737.300.061	UNION SCREW	1	Z0001027 4513	27.10.2010	27.10.2010	M14X1,5			5	0,000	
---	0634.801.217	SEALING RING	1	Z0001027 4513	27.10.2010	27.10.2010	14X20			5	0,000	
30	---	UNION SCREW	1	Z0001027 4511	01.01.2012	01.01.2012	M14X1,5			3	0,000	
---	0737.300.061	UNION SCREW	1	Z0001027 4513	27.10.2010	27.10.2010	M14X1,5			5	0,000	
---	0634.801.217	SEALING RING	1	Z0001027 4513	27.10.2010	27.10.2010	14X20			5	0,000	
50	6007.202.079	PIPE	1		00.00.0000		KPL.500,00MM			3	0,000	
/110	0637.100.421	RING PIECE	1	Z0001045 6710	31.03.2011	31.03.2011				5	0,000	
/120	0632.702.904	PIPE	500	C0100872 2A10	00.00.0000	00.00.0000	12X2			5	0,000	
/130	0637.100.421	RING PIECE	1	Z0001045 6710	31.03.2011	31.03.2011				5	0,000	
60	---	UNION SCREW	1	Z0001027 4511	01.01.2012	01.01.2012	M14X1,5			3	0,000	
---	0737.300.061	UNION SCREW	1	Z0001027 4513	27.10.2010	27.10.2010	M14X1,5			5	0,000	
---	0634.801.217	SEALING RING	1	Z0001027 4513	27.10.2010	27.10.2010	14X20			5	0,000	

VKF Incidence factor

OTK Optional technical kit

ID Identification (output code)

SP Supplier plant



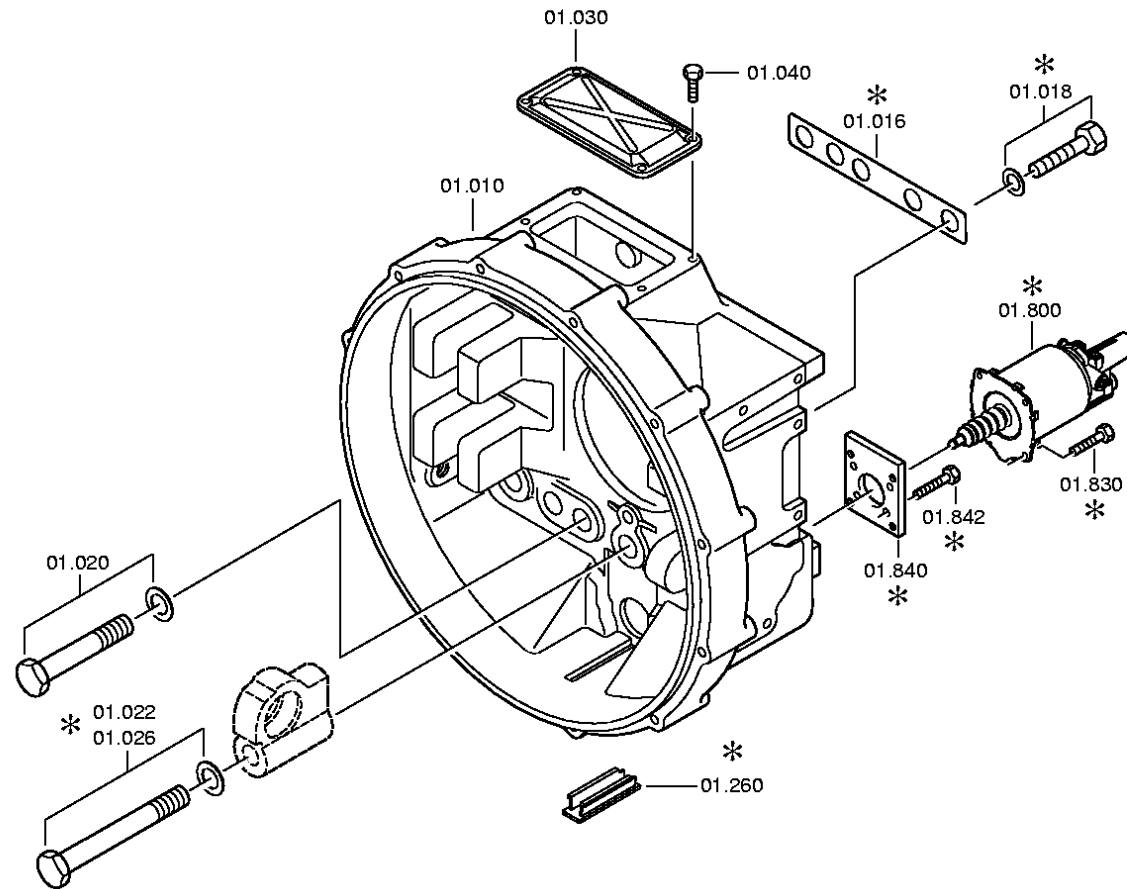
Pos.	Material number	Name	VKF	Amend. no.	Amend. start	Prod. no.	Material feature / tech. info.	OTK	External material no.	ID	Weight	SP
70	---	UNION SCREW	1	Z0001027 4511	01.01.2012	01.01.2012	M14X1,5			3	0,000	
---	0737.300.061	UNION SCREW	1	Z0001027 4513	27.10.2010	27.10.2010	M14X1,5			5	0,000	
---	0634.801.217	SEALING RING	1	Z0001027 4513	27.10.2010	27.10.2010	14X20			5	0,000	
140	0659.160.068	CABLE CLIP	2		00.00.0000					5	0,000	

VKF Incidence factor

OTK Optional technical kit

ID Identification (output code)

SP Supplier plant





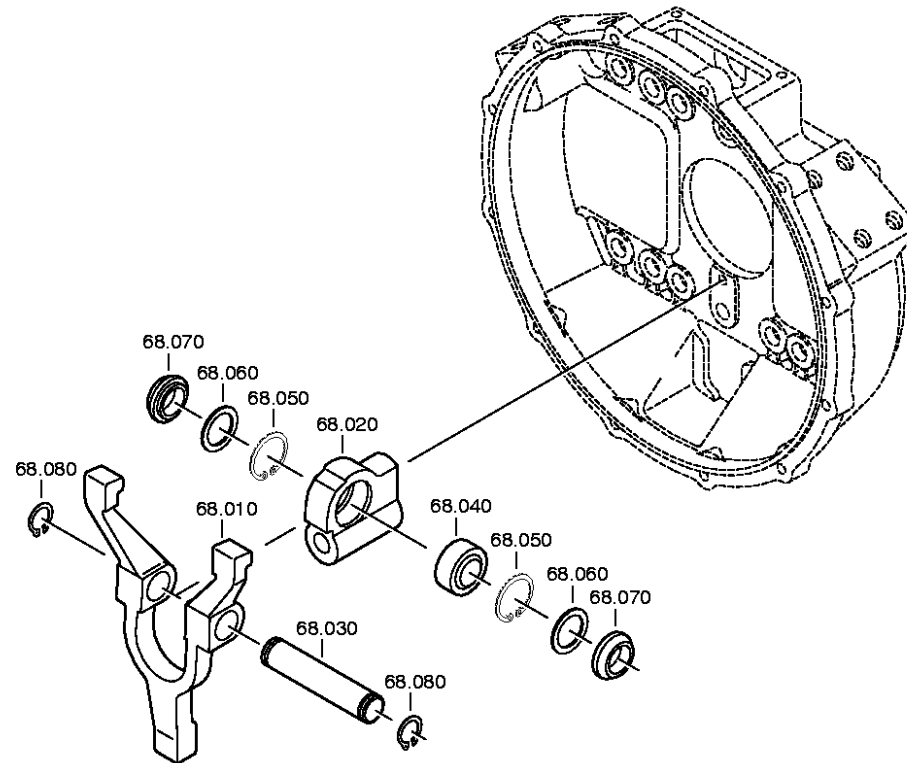
Pos.	Material number	Name	VKF	Amend. no.	Amend. start	Prod. no.	Material feature / tech. info.	OTK	External material no.	ID	Weight	SP
10	6060.201.249	BELL HOUSING	1		00.00.0000		KPL. IN 6060 201 248(1)			3	0,000	
18	---	HEXAGON BOLT	1		00.00.0000		ZF KAMA M12X35			3	0,000	
20	---	HEXAGON BOLT	9	C0100036 9B10	00.00.0000	00.00.0000	M18X1,5X85			3	0,000	
---	0636.100.547	HEXAGON BOLT	9	Z0000706 1910	30.12.2011	30.12.2011	M18X1,5X85			5	0,000	
---	0630.001.021	WASHER	9		00.00.0000					5	0,000	
22	---	HEXAGON BOLT	1	C0100930 0A10	00.00.0000	00.00.0000	M18X1,5X160			3	0,000	
---	0636.100.552	HEXAGON BOLT	1	Z0000706 2011	01.07.2011	01.07.2011	M18X1,5X160			5	0,000	
---	0630.001.021	WASHER	1		00.00.0000					5	0,000	
30	0501.317.373	COVER	1		00.00.0000					5	0,000	
40	0636.100.621	HEXAGON BOLT	4	Z0000956 0910	01.01.2012	01.01.2012	M8X12			5	0,000	
212	---	PLUG	4		00.00.0000		GPN 300*F 19 D=20,7			3	0,000	
---	0637.510.568	PLUG	4		00.00.0000					5	0,000	
---	---	ADHESIVE	4		00.00.0000		LOCTITE NR.325 / LOCTITE NR.326			3	0,000	
---	0666.690.083	ADHESIVE	4		00.00.0000					5	0,000	
---	0666.690.066	JOINCOMPOUND	4		00.00.0000					5	0,000	
260	0501.306.828	SEALING CAP	1		00.00.0000					5	0,000	
800	0501.006.795	CLUTCH CYLINDER	1		00.00.0000					5	0,000	
830	0636.015.406	HEXAGON BOLT	4		00.00.0000		M8X14			5	0,000	
840	6060.201.221	INTERMPLATE	1		00.00.0000					3	0,000	
842	0636.100.796	HEXAGON BOLT	4	Z0000789 1111	01.01.2012	01.01.2012	M8X20			5	0,000	

VKF Incidence factor

OTK Optional technical kit

ID Identification (output code)

SP Supplier plant





Pos.	Material number	Name	VKF	Amend. no.	Amend. start	Prod. no.	Material feature / tech. info.	OTK	External material no.	ID	Weight	SP
10	6060.206.006	RELEASE FORK	1		00.00.0000		KPL.			3	0,000	
20	6060.306.096	BRACKET	1	C0100831 0A10	00.00.0000	00.00.0000				5	0,000	
30	6060.306.086	PIN	1		00.00.0000		ENTHALT.IN 0731 201 607(2)			5	0,000	
40	0635.285.060	JOINT BEARING	1	C0100951 0B10	00.00.0000	00.00.0000				5	0,000	
50	0630.502.023	RETAINING RING	2		00.00.0000		42X1,75			5	0,010	
60	0501.315.198	SEALING RING	2		00.00.0000					5	0,000	
70	6060.306.087	SEALING WASHER	2		00.00.0000					5	0,000	
80	0630.501.020	RETAINING RING	2		00.00.0000		25X1,2			5	1,800	

VKF Incidence factor

OTK Optional technical kit

ID Identification (output code)

SP Supplier plant